
Sarimay-Dzhankeldy Transmission Environmental & Social Impact Assessment (ESIA): Volume V - Stakeholder Engagement Plan

CLIENT: NEGU

Date: March 2022



Juru Energy Ltd.
Suite 1, One George Yard, London
United Kingdom, EC3V 9DF
T: +44 207 859 4028

Document Information

Project Name	Sarimay-Dzhankeldy Transmission
Document Title	Stakeholder Engagement Plan
Juru Energy's Project Reference	UZB _Sarimay-Dzhankeldy
Client	NEGU
JE Project Manager	Nicola Davies
JE Project Director	Jushkinbek Ismailov

Document Control

Version	Version Date	Description	Author	Reviewer	Approver
1.0	09 November 2021	Stakeholder Engagement Plan	Zilola Kazakova / Umida Rozumbetova	Marianne Lupton	Nicola Davies
2.0	25 February 2022	Draft Final Stakeholder Engagement Plan for Client review	Zilola Kazakova / Umida Rozumbetova	Marianne Lupton	Nicola Davies
3.0	18 March 2022	Final for disclosure	Zilola Kazakova / Umida Rozumbetova	Marianne Lupton	Nicola Davies

Disclaimer:

The Stakeholder Engagement Plan ("SEP") has been prepared by Juru Energy. Whilst the information contained in the SEP is reflective of the current status, Juru Energy make no representation or warranty, express or implied, as to the accuracy of the information set forth in this SEP, and accept no liability for any information that may have been misstated or omitted.

SEP has been prepared exclusively for NEGU. NEGU makes no representation or warranty, express or implied, as to the accuracy or completeness of the information set forth in this document. NEGU has not independently verified any of the information contained in this SEP and accept no liability whatsoever for any information, misstatement or omission contained therein. This SEP remains NEGU's property.

Table of Contents

1.	Introduction and Project Summary	6
1.1	Overview and Project background	6
1.2	Project location	7
1.3	Project components	11
1.3.1	Concept of energy transmission	11
1.4	Objectives of the Stakeholder Engagement Plan	14
2	Previous Stakeholder Engagement	15
2.1	Overview	15
2.2	Scoping stakeholder engagement	15
2.3	ESIA stakeholder engagement	18
2.4	Public Meetings	27
3	Stakeholder Engagement Requirements	34
3.1	Overview	34
3.2	National requirements	34
3.3	EBRD requirements	34
4	Identification of Stakeholders and Communication Methods	36
4.1	Overview	36
4.2	Stakeholder identification	36
4.3	Consultation activities	42
4.4	Encouraging the participation of women	43
4.5	Vulnerable groups	43
5	Timing of Upcoming Stakeholder Engagement	43
5.1	Overview	43
5.2	Timing	43
6	Responsibilities and Implementation	45
6.1	Overview	45
6.2	Key responsible parties	45
6.2.1	Juru Energy	45
6.2.2	NEGU	45
6.2.3	EBRD	46
7	Grievance Mechanism	46
7.1	Overview	46
7.2	Grievance reporting and resolution	46
7.3	Contact details	47
7.4	Grievance responsibilities	47

7.4.1	Juru Energy	47
7.4.2	NEGU	48
7.5	Confidentiality and anonymity	48
7.6	Grievance resolution options and response	48
8	Reporting	50
8.1	Overview	50
8.2	SEP reporting	50
8.3	CLO reporting	50
8.4	Annual reporting	50
8.5	Grievance logging	50
	Annex A: Distributed leaflet during consultations	51
	Annex B: Public meeting disclosure information	55
	Annex C: Project grievance form	59
	Annex D: Project grievance log	63
	Annex E: Stakeholder engagement log	64
	Annex F: Photographs of engagement	70
	Annex G: Meeting attendance sheets	86
	Annex H: Minutes of meetings	102

Table of Figures

Figure 1: Project Location 500 kV S-D OHTL Project.	8
Figure 2: Project Location of S-D OHTL (Lot 1) (Source: Juru Energy)	9
Figure 3: Project Location N-B-M LILO (Lot 2) (Source: Juru Energy)	10
Figure 4: Concept of electric energy transmission	11
Figure 5: Components of an OHTL (Source: Juru Energy)	13
Figure 6: Simplified schematic of the proposed Project at wider 500kV transmission network	14
Figure 7: Location of Stakeholder Engagement Completed to Date	27
Figure 8: Grievance mechanism flow chart	49

Table of Tables

Table 1: Summary of meetings	16
Table 2: Summary of meetings at ESIA stage	19
Table 3: Summary of public meetings	28
Table 4: Stakeholder engagement matrix	37
Table 5: Planned stakeholder engagement	44
Table 6: Contact details	47
Table 7: NEGU Contact details	47
Table 8: Grievance Process and Timeline	48

List of Abbreviations

Acronym	Definition
AOI	Area of influence
CLO	Community Liaison Officer
EBRD	European Bank for Reconstruction and Development
EIA	Environmental Impact Assessment
ESIA	Environmental and Social Impact Assessment
FGD	Focus Group Discussions
GBVH	Gender Based Violence & Harassment
GM	Grievance Mechanism
JE	Juru Energy
KII	Key Informant Interviews
LILO	Line-in Line out
MHRUZ	Ministry of Health of Uzbekistan
NEGU	National Electric Grid of Uzbekistan
NGO	Non-governmental Organisation
OHTL	Overhead transmission line
PAP	Project Affected People
PR	Performance Requirements
ROW	Right of Way
S-D OHTL	Sarimay- Dzhankeldy OHTL
SEA	Sexual Exploitation and Abuse
SEP	Stakeholder Engagement Plan
SS	Substation
SwS	Switching Station

1. Introduction and Project Summary

1.1 Overview and Project background

The European Bank for Reconstruction and Development (the “EBRD” or the “Bank”) is considering providing loan to finance the construction of a 500 kV Sarimay- Dzhankeldy overhead transmission line between the existing Sarimay substation (SS) (Khorezm region) and the planned Dzhankeldy SS (Bukhara region) (Lot 1) (see Figure 1); and a related 10 km 500 kV Line-in Line out (LILO) OHTL (Lot 2) from the Bash switching station (SwS) (under development) to the 220 kV/500 kV Muruntau-Navoi OHTL (currently under construction)^{1,2}. Together Lot 1 and Lot 2 are referred to as the S-D OHTL or the “Project”.

The Project's main purpose is to facilitate the evacuation to the national power grid of the electricity generated by renewable energy power plants under development in the Bukhara and Navoi regions. Implementation of the Project will also significantly improve the transmission network's reliability, efficiency, stability, and quality and security of the electricity supply.

EBRD PR1, Appendix 2: (para 24) makes specific reference to “construction of high voltage overhead electrical power lines” as a project with the potential to generate significant adverse E&S impacts. Considering Appendix 2 and the S-D Scoping report, the Project is categorised as Category “A”. Category A projects require a comprehensive Environmental and Social Impact Assessment (ESIA) and review of associated documents, followed by public disclosure of key documents for a minimum period of 120 days. This requirement aligns with the EU EIA Directive requirements for Annex I projects.

The Project's proponent is the Joint Stock Company National Electric Grid of Uzbekistan (JSC NEGU). JSC NEGU will be responsible for construction and implementation of the Project.

EBRD has appointed Juru Energy Ltd. (JE) as the Environmental and Social Impact Assessment (ESIA) Consultant for the Project following EBRD Environmental and Social Policy 2019 (ESP 2019) and supporting Performance Requirements (PRs), and specifically PR10: Information Disclosure and Stakeholder Engagement.

This Stakeholder Engagement Plan (SEP) has been prepared on behalf of JSC.NEGU to maintain and guide stakeholder engagement over the lifetime of the Project. This SEP is currently focusing on engagement during the ESIA phase, but will remain a live document and is subject to further updates and guidance during the construction and operations phases.

At the time of writing this SEP the Project design is still being finalized and JE has performed the international ESIA study. A separate third party will undertake the national Environmental Impact Assessment (EIA). Initial categorizations have been identified under EBRD and Uzbek law. The

¹ The 220kV/500kV Navoi to Muruntau SS OHTL is currently in the early stages of construction and is also being financed by EBRD.

² The Murantau SS and the 500kV Navoi to Murantau/Besopan OHTL are considered associated facilities (as defined by EBRD PR1, para 9) and have already been subject to ESIA following EBRD ESP 2019 by third party entities. The Dzhankeldy wind farm (WF) (developed by private third party) and the Bash WF (developed by private third party) that will be connected to the Bash SwS and Dzhankeldy SS respectively are not solely dependent on the Project, nor do they directly or indirectly influence the project. As such

Project is considered a Category I (high risk) under the national legislation (see section 3.2) and Category A under EBRD requirements (see section 3.3).

Stakeholder engagement in this SEP has been planned in line with Uzbek legislation for Category I projects and EBRD requirements for Category A projects.

This SEP is organised by chapters that cover:

- Project location;
- Summary of Uzbek and EBRD requirements for consultation and disclosure;
- Summary of previous stakeholder engagement;
- Identification and analysis of stakeholders and types of consultation activities;
- Timing of future stakeholder engagement;
- Responsibilities for and implementation of engagement;
- Project grievance mechanism; and
- Monitoring and reporting.

1.2 Project location

The Project is split into two lots (together Lot 1 and Lot 2 are referred to as the “Project”).

- Lot 1 - 500 kV Sarimay- Dzhankeldy OHTL (S-D OHLT) - approximately 127 km OHTL located in the southwestern part of the Kyzyl-Kum Desert.
- Lot 2 – 500 kV Navoi TPP – Bash SS - Murantau SS LILO OHTL (N-B-M LILO) - approximately 10 km in length, split between two 5 km sections for a LILO connection from the 500kV Bash SS (under development) to the 500 kV Murantau-Navoi OHTL (under construction).

Lot 1 starts from the existing Sarimay Substation (Khorezm province), which is located close to Nukus village (300 m) and Sarimay village (4.3 km), to the planned Dzhankeldy substation passing close to the villages of Kalaata and Dzhankeldy through an unmodified area of Kyzilkum district. This route crosses Turtkul district of the Republic of Karakalpakstan, Tuprokkala district of Khorezm region and Peshku district of Bukhara region (Figure 1). The Lot 1 section of OHTL runs from the existing Sarimay SS, which is located in Tuprokkala district and the planned Dzhankeldy SS located in Peshku district. Figure 1 shows the two lots in Uzbekistan (Lot 1 is identified in blue, and Lot 2 is red).

Figure 1: Project Location 500 kV S-D OHTL Project.

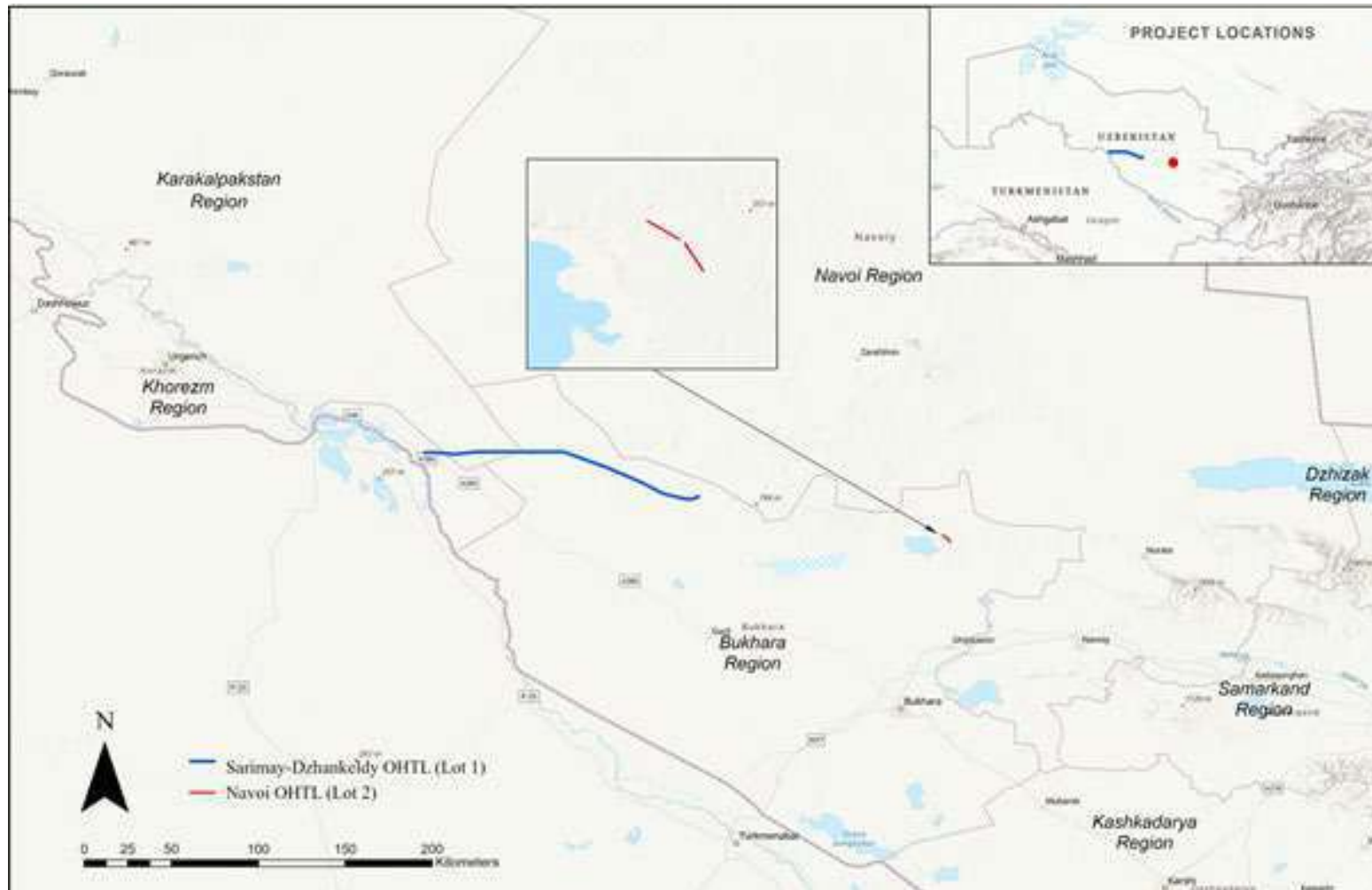
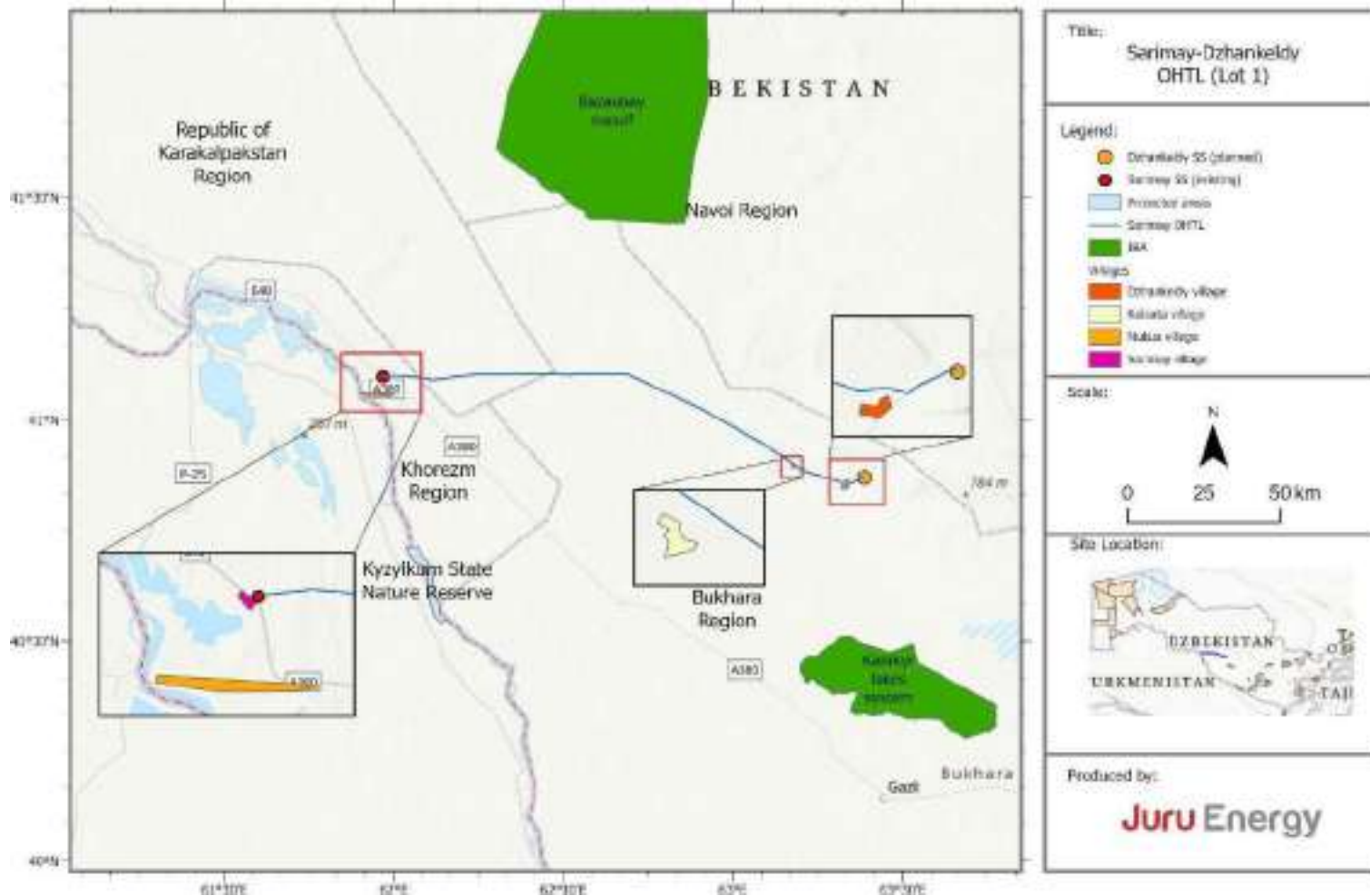


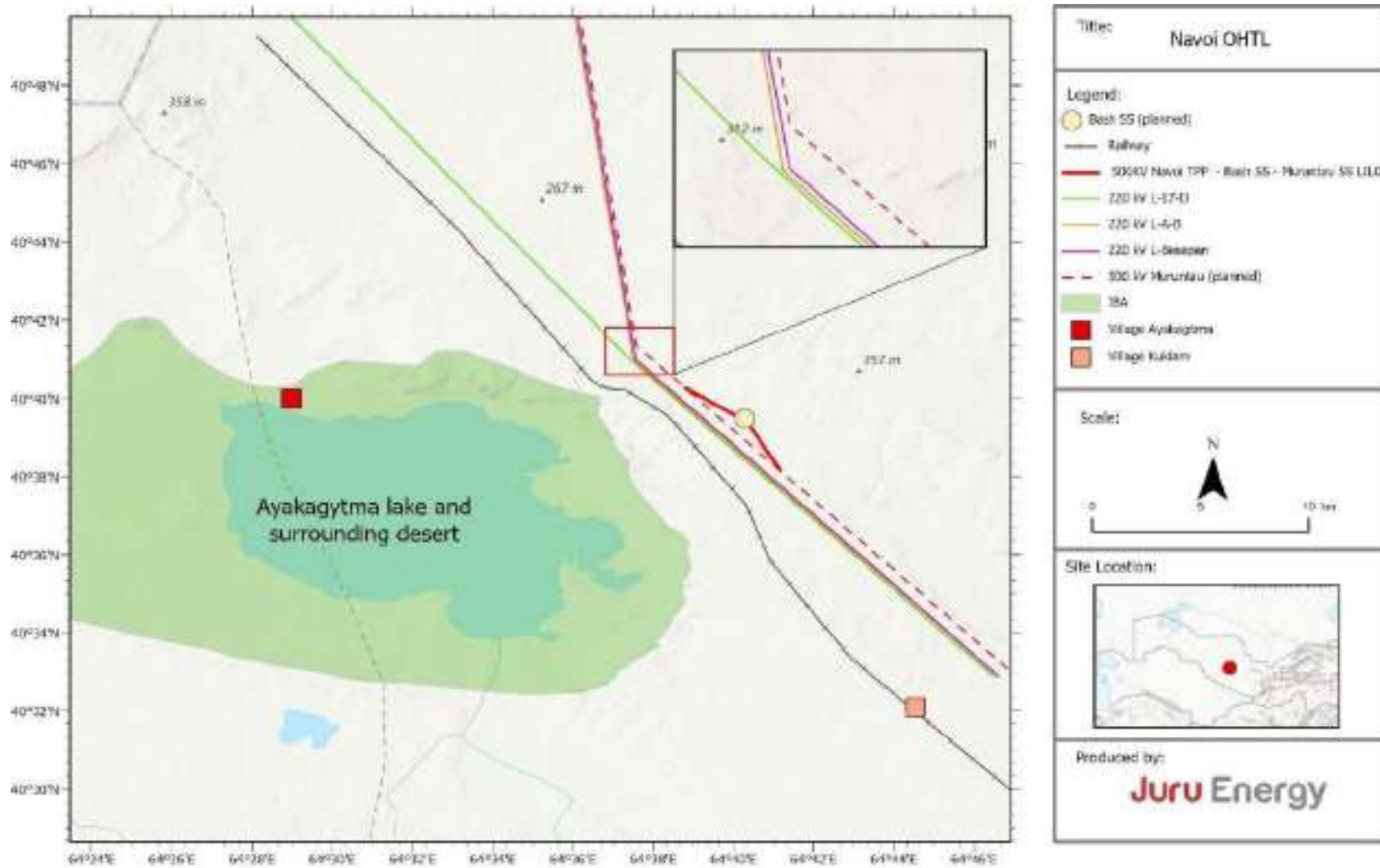
Figure 2 provides an overview of the Lot 1 OHTL and the communities that are located near to the Project.

Figure 2: Project Location of S-D OHTL (Lot 1) (Source: Juru Energy)



Lot 2 is entirely located in Gijduvan district of Bukhara province (Figure 3).

Figure 3: Project Location N-B-M LILO (Lot 2) (Source: Juru Energy)

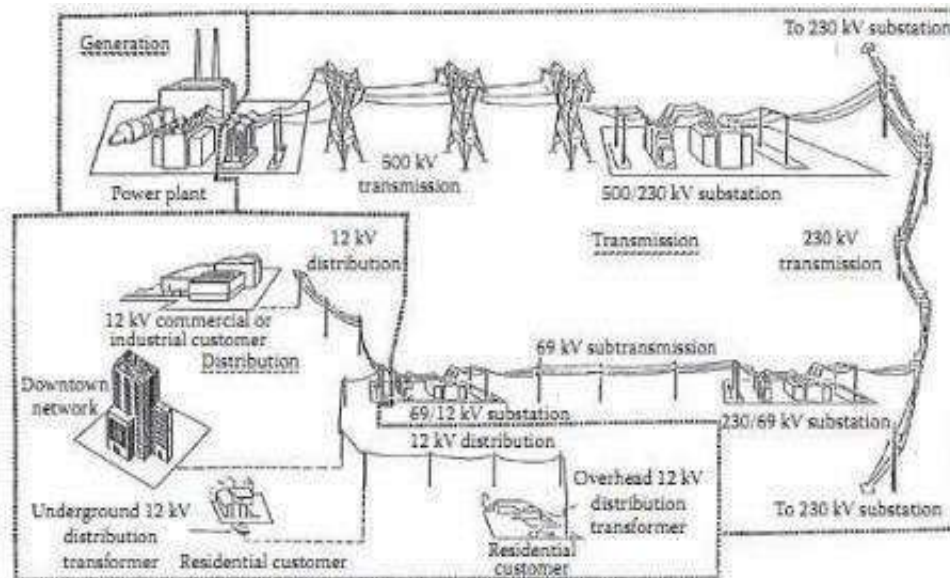


1.3 Project components

1.3.1 Concept of energy transmission

An OHTL is the structure by which electrical energy is transmitted from one location to another see Figure 4.

Figure 4: Concept of electric energy transmission



(Source: http://www.industrial-electronics.com/elec_pwr_3e_9.html)

The main components of an OHTL are the towers, foundations, insulators, conductors (wires), and earth wire (see Figure 5) . Electrical conductors (wires), transmit the electricity and are suspended from steel towers by insulators. The towers are fixed to the ground with cement foundations or, in some cases, guy wires. The typical footprint is 5 m by 5 m (25 m²).³ Insulators isolate the towers from the live wires that carry the electricity.

- Towers are typically either suspension, angle or terminal towers that can either be self-supporting or guyed towers with a tower height of approximately 30 to 40 m.
- Foundations are required to fix the towers in place, the foundations may be up to two meters deep, depending on geotechnical requirements.
- Conductors are the lines that string between each tower that transmit the electricity. The distance between each tower is the span; typical spans are between 300 m and 400 m.

³ Footprint is defined as the outer of the foundation columns at ground level

Figure 5: Components of an OHTL (Source: Juru Energy)

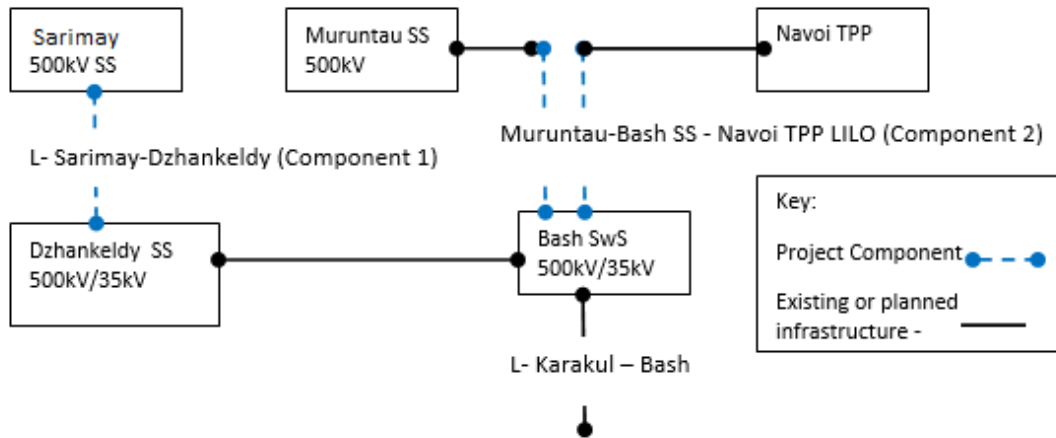


Related activities in support of the OHTL works will include:

- end-user works at the Sarimay SS (Lot 1);
- end-user works at the Dzhankeldy SS (Lot 1);
- end-user works at the Bash SwS (Lot 2);
- establish 60m ROW under the OHTL (including the provision of any related livelihood compensation) (Lot 1 and Lot 2); and
- upgrade existing or new roads (unsurfaced) suitable for providing access to the OHTL towers worksites (Lot 1 and Lot 2).

A simplified line diagram illustrating the proposed Project Lots and their connection to the region's immediate transmission network is provided in figure below⁴:

Figure 6: Simplified schematic of the proposed Project at wider 500kV transmission network



1.4 Objectives of the Stakeholder Engagement Plan

Stakeholder engagement assumes the process of identifying, mapping and prioritising stakeholders that might be impacted due to the Project activities, or have certain interest or decision-making abilities.

The main objectives of the SEP are as follows:

- Identifying and preparing a stakeholder matrix that includes all stakeholders that may be impacted or interested in the Project. It also identifies, key organisations and communities who the Project needs to consult in order to receive legal permissions to undertake the Project (e.g., State Committee on Ecology and Environmental Protection).
- Establishing relevant communication approaches to each stakeholder group to deliver Project information, and conduct consultations.
- Recording feedback, concerns and views of stakeholders regarding the Project.
- Establishing proper/suitable means of communication, especially with vulnerable groups and women to prevent any risks relating to Gender Based Violence & Harassment (GBVH) including Sexual Exploitation and Abuse (SEA).
- Developing and maintaining a grievance mechanism.

All stakeholder engagement will be carried out in a culturally appropriate manner, and in languages that are understood by stakeholder (these will include: Uzbek, Russian and Kazakh (the predominant language of the Nukus community) as relevant). Planning for engagement activities will take into account cultural and economic elements to ensure the greatest number of

⁴ Other lines in the vicinity of the Bash SS are i) 220 kV line between Navoi TPP - Besopan SP (Switching Point), ii) - 220 kV line between Substation "A" - Besopan SP, dispatching name of the line - "L-A-B ", iii) - 220 kV line between Navoi TPP - Substation "D", dispatching name of the line - "L-17-D" (refer to Figure 3).

stakeholders can attend (for example when women are able to attend, or when herders are at their houses and not out grazing their animals).

2 Previous Stakeholder Engagement

2.1 Overview

Stakeholder engagement has been undertaken at the scoping stage and the ESIA stage and consultation on the draft ESIA through a series of public meetings. A stakeholder engagement log summarising all stakeholder engagement activity (meetings, notifications) is provided in Annex E. Photographs, meeting attendance sheets and minutes of meetings are provided in Annex, F, G and H. This section provides a summary of stakeholder engagement undertaken to date. This section will be continuously updated as engagement is undertaken. As of February 2022, all consultation on the project on behalf of NEGU has been undertaken by JE as the ESIA consultant and as recorded in this SEP.

2.2 Scoping stakeholder engagement

During a site visit from October 12-15, 2021 undertaken by JE meetings were conducted at the following locations:

- Tuprokkala district khokimiyat
- Nukus community
- Sarimay community
- Sarimay branch of Uztransgas JS
- Local herders' structures
- Water station of Navoi Mining Company
- Sarimay substation

During the meetings participants were provided with leaflets that provide the key information about the planned Project as well as contact details of the ESIA Consultant. A sample of the leaflet is provided in Annex A. A summary of the meetings is included in Table 1.

Table 1: Summary of meetings

Name of receptor	Date and place of meeting	Summary of discussion	Concerns raised	Responses provided	How concerns were addressed/follow up required	Information disclosed
Tuprokkala district khokimiya t	October 12, 2021	Provided general information about overall demographic characteristics of the district, main types of employment of the district population, types of social infrastructure etc.	The Deputy mayor proposed the following: 1. Tuprokkala district can supply workers with food during construction (sell food); 2. Supply yurta (similar to tents) for worker accommodation 3. Supply workers with warm clothes during construction .	The ESIA consultant took note of the suggestions	Information added to ESIA baseline section 4.5 Local employment and procurement is addressed in section 7.11 of the ESIA.	Project leaflet (Annex A)
Nukus Community	October 12, 2021	Met with the community leader to explain the aim of the visit as well as the local school and gave a brief introduction to teachers about the planned construction of OHTLs. Received demographic information about the Nukus community.	Baseline information was provided. No concerns were raised.	No response required	Information added to ESIA baseline section 4.5.	Project leaflet
Sarimay substation	October 12-13, 2021	Met with the Electrician and Technical staff on October 12,2021 and on the next day met with the Engineer. They were informed about the Project and	Baseline information was provided. No concerns were raised.	No response required	Information added to ESIA baseline section 4.5.	Project leaflet

Name of receptor	Date and place of meeting	Summary of discussion	Concerns raised	Responses provided	How concerns were addressed/follow up required	Information disclosed
		<p>supplied with leaflets. Information was received on the number of workers at the substation. During the site visit E&S team was not able to enter the Sarimay substation to review access options for the OHTL. However, it was possible to check for constraints within 500m of the substation site. Access to the station is only allowed to be carried out with a special permit.</p>				
Local herders	October 12-16, 2021	<p>Met four herders along the proposed OHTL route who have structures (e.g. wells, stables, etc) near the proposed OHTL right of way. These herders also tend to graze their livestock in the Project area of impact (AOI). Herders were supplied with Project leaflets. During the conversation with herders it was found that one of the five herders stays in the AOI all year round. The remaining four herders visit the Project area from spring to late autumn.</p>	Baseline information was provided. No concerns were raised.	No response required	Information added to ESIA baseline section 4.5 and the LARF.	Project leaflet

Name of receptor	Date and place of meeting	Summary of discussion	Concerns raised	Responses provided	How concerns were addressed/follow up required	Information disclosed
Water station of Navoi Mining Company	October 13, 2021	Met with head engineer and two technical staff members, who are employees of the water station. They were introduced to the Project and received leaflets. Gained information about current water station, number of employees, working shifts as well as the requirements to undertake construction in the vicinity of the water stations.	Baseline information was provided. No concerns were raised.	No response required	Information added to ESIA baseline section 4.5.	Project leaflet
Sarimay Community	October 13, 2021	Met with the leader of the community and shared information about the Project. Leaflets with Project information were distributed to the local population. Received general information about the socioeconomic profile of the village.	Baseline information was provided. No concerns were raised.	No response required	Information added to ESIA baseline section 4.5.	Project leaflet

2.3 ESIA stakeholder engagement

During a site visit from November 12-19, 2021 undertaken by JE, meetings were conducted at the following locations:

- Nukus community
- Sarimay community
- Dzhankeldy and Kalaata village
- Local herders' structures

In addition, a number of khokimiyat and government entities were contacted by mail. A summary of these consultations is provided in Table 2 below.

Table 2: Summary of meetings at ESIA stage

Name of receptor	Date and place of meeting	Summary of discussion	Concerns raised	Responses provided	How concerns were addressed in the ESIA	Information disclosed
Herder 1 ⁵	November 12, 2021	A face-to-face survey was conducted with a herder who works for Dzhankeldy LLC (Lot 1). The herder was informed about the Project and interviewed regarding land use conditions.	Baseline information was provided. No concerns were raised.	No response required.	Information added to ESIA baseline section 4.5 and the LARF.	Project leaflet (Annex A)
Department of Makhalla and Family Support under Ministry of Makhalla and Family of Republic of Karakalpakstan	November 13, 2021	Phone call consultation was conducted with the head specialist of the Department of Makhalla and Family Support under the Ministry of Makhalla and Family of the Republic of Karakalpakstan.	The Administration of Khorezm region and Karakalpakstan Republic are reviewing borders of their regions. It is highly likely that part of the land along Lot 1 which currently belongs to Karakalpakstan will be allocated to the Khorezm region. No legal evidence has been provided so far.	No response required.	The Juru team continues to work to address this issue and will update relevant documentation when a sufficient response has been received.	Project information provided by phone

⁵ Note: the names of specific people met have been removed from the SEP for disclosure. They are instead included in Annex D of the full version of the SEP.

Name of receptor	Date and place of meeting	Summary of discussion	Concerns raised	Responses provided	How concerns were addressed in the ESIA	Information disclosed
			For this reason, officials of the Republic of Karakalpakstan prefer to wait until this issue is resolved and only then will they provide an official response regarding the Project.			
Dzhankeldy village	November 15, 2021	Met with leader of the community and talked to local villagers about expected construction of the OHTLs (Lot 1 and Lot 2). Conducted survey with community members.	No concerns were raised.	No response required.	Surveys used to inform the ESIA baseline section 4.5.	Project leaflet
Kalaata village	November 15, 2021	Met with leader of the community and talked to local villagers about expected construction of the OHTLs (Lot 1 and Lot 2). Conducted survey with community members.	No concerns were raised.	No response required.	Surveys used to inform the ESIA baseline section 4.5.	Project leaflet

Name of receptor	Date and place of meeting	Summary of discussion	Concerns raised	Responses provided	How concerns were addressed in the ESIA	Information disclosed
Herder 2	November 16, 2021	Face-to-face survey conducted with the herder who works for Dzhankeldy LLC (Lot 1). The herder was informed about the Project and interviewed regarding land use conditions.	No concerns were raised	No response required.	Information added to ESIA baseline section 4.5 and the LARF.	Project leaflet
Herder 3	November 16, 2021 (face to face meeting with herder's wife) November 22, 2021 (via phone call)	Face-to-face survey conducted with the herder who works for Dzhankeldy LLC (Lot 1). The herder was informed about the Project and interviewed regarding land use conditions.	Baseline information was provided. No concerns were raised..	No response required.	Information added to ESIA baseline section 4.5 and the LARF.	Project leaflet

Name of receptor	Date and place of meeting	Summary of discussion	Concerns raised	Responses provided	How concerns were addressed in the ESIA	Information disclosed
Sarimay Community	November 17, 2021	Conducted phone calls with the leader of the Sarimay community and talked to local villagers about expected construction of the OHTLs (Lot 1 and Lot 2). Conducted survey with community members.	No concerns were raised.	No response required.	Surveys used to inform the ESIA baseline section 4.5.	Project information provided by phone
Nukus Community	November 19, 2021	Met with the leader of Nukus community and talked to local villagers about expected construction of the OHTLs (Lot 1 and Lot 2). Conducted survey with community members.	No concerns were raised.	No response required.	Surveys used to inform the ESIA baseline section 4.5.	Project leaflet
State Committee of the Republic of Uzbekistan on Ecology and Environmental Protection	November 25, 2021	Official request was sent on November 25, 2021. Response letter has been received on December 6, 2021 No03-03/1-1905. The Committee provided recommendations that should be covered while	The State Committee recommended the following: 1. Works that should be undertaken for preparation of National EIA report; 2. The installation of flight diverters; 3. Detailed biodiversity	The Juru team took note of the recommendations.	Information used to inform environmental impacts and mitigation measures in the ESIA section 7.10 on biodiversity.	Project information and questions included in a letter

Name of receptor	Date and place of meeting	Summary of discussion	Concerns raised	Responses provided	How concerns were addressed in the ESIA	Information disclosed
		preparing National EIA report and mitigation measures that the Committee expects from construction and operation of Project.	surveys should be undertaken.		Note: The National EIA will be undertaken independently of this study.	
Khorezm khokimiyat	November 26, 2021	Meeting held in khokimiyat offices. Tuprokkala district khokimiyat provided information regarding land ownership of the planned OHTL project area.	The khokimiyat in According to the Decree of the RUz dated 02.09.2020. PF-6059 "On Measures for the Development of Sericulture and Wool Industry in the Republic of Uzbekistan" pastoral land in the territory of Uzbekistan belong to the Committee for Development of Sericulture and Wool Industry. No concerns were raised.	No response required.	Information used to inform land acquisition impacts and mitigation measures in section 7.14 of the ESIA and the LARF..	Project leaflet

Name of receptor	Date and place of meeting	Summary of discussion	Concerns raised	Responses provided	How concerns were addressed in the ESIA	Information disclosed
Bukhara khokimiyat	November 26, 2021	Official request sent to khokimiyat and official response to the letter received in December, 2021. Cadastral Agency of Gijduvan district officially provided response regarding land ownership on December 10, 2021.	The khokimiyat informed us that Land on the planned project AOI belongs to the Committee for Development Sericulture and Wool Industry for permanent use. No concerns were raised.	No response required.	Information used to inform land acquisition impacts and mitigation measures in section 7.14 of the ESIA and the LARF.	Project information and questions included in a letter
Ministry of Employment and Labour Relations of the Republic of Uzbekistan	November 26, 2021	Official request letter sent to the Ministry in November, 2021. Response to the letter received on December 7, 2021. The official response listed a number of requirements to follow.	The Ministry provided a list of legal acts that should be followed during Project implementation to ensure safe working conditions during the construction works.	No response required.	List of legal acts, proposed by Ministry were included in section 3 of the ESIA and the ESMP.	Project information and questions included in a letter
Ministry of Health (or MHRUz)	November 26, 2021	Official request sent to MHRUz on November 26, 2021. Response to official request has not yet been	Awaiting a response.	No response required.	NEGU to chase MHRUz for a response.	Project information and questions included in a letter

Name of receptor	Date and place of meeting	Summary of discussion	Concerns raised	Responses provided	How concerns were addressed in the ESIA	Information disclosed
		received. The Ministry was not available for comment via telephone.				
Institute of Archaeology under Academy of Sciences of the Republic of Uzbekistan	November 26, 2021	Official request sent to Institute of Archaeology under Academy of Science of the Republic of Uzbekistan on November 26, 2021. Response from the Agency received on December 1, 2021.	Agency responded the following: It is recommended that the project studies points 1-12 on the 120 km stretch of the OHTL (Lot 1). The Agency has no information about the archaeological findings on the planned OHTL route. There is no impact to archaeological sites on the planned OHTL route (Lot 2).	No response required.	Information used to inform cultural heritage impacts and mitigation measures in section 7.15 of the ESIA.	Project information and questions included in a letter
National Centre for Archaeology	November 26, 2021	Official letter was sent on November 26, 2021. Response letter was received on December 1, 2021 No416.	The Centre has confirmed the absence of archaeological impact from Lot 2 construction to nearby archaeological sites. It advised the Project to conduct an archaeological survey along Lot 1, since this	No response required.	Information used to inform cultural heritage impacts and mitigation measures in section 7.15 of the ESIA.	Project information and questions included in a letter

Name of receptor	Date and place of meeting	Summary of discussion	Concerns raised	Responses provided	How concerns were addressed in the ESIA	Information disclosed
			area has not been studied yet or implement archaeological supervision during excavation works.			
Agency of Cultural Heritage under Ministry of Sport and Tourism of the Republic of Uzbekistan	November 26, 2021	Official letter was sent on November 26, 2021. Response letter was received from the subordinate department of the Agency of Cultural Heritage in the Khorezm and Navoi regions and the Bukhara department on December 3, 2021 No14-09/357.	Khorezm and Navoi regions confirmed that there are no nearby objects of cultural heritage along Lot 1 or Lot 2. Whereas Bukhara department asked the Project to consider providing buffer zones for identified locations of archaeological importance along Lot 2.	No response required..	Information used to inform cultural heritage impacts and mitigation measures in section 7.15 of the ESIA. A map with location of finding near Lot 2 has been included in the ESIA.	Project information and questions included in a letter
"Uztransgas" JSC	November 26, 2021	Official request sent to "Uztransgas" on November 26, 2021. Uztransgaz has not yet responded.	Awaiting a response.	No response required.	NEGU to chase "Uztransgas" JSC for a response.	Project information and questions included in a letter)

Name of receptor	Date and place of meeting	Summary of discussion	Concerns raised	Responses provided	How concerns were addressed in the ESIA	Information disclosed
"Uztelecom" JSC	November 26, 2021	Request letter sent to "Uztelecom" JSC in November, 2021. Response from JSC "Uztelecom" received on December 1, 2021. According information provided by JSC there is a communication line along highway A380. Its distance from the planned OHTL route is approximately 500 meters (LOT 1).	Uztelecom provided a list of the technical conditions that should be followed during construction if the route will be located close to the optic fibre cable.	No response required.	Project design and route selection has been prepared considering the safe distance from optic fibre cable.	Project information and questions included in a letter
Navoi mining company (Water station of Navoi Mining company)	November 26, 2021	Official request sent to Navoi mining company. Representative from the company called JE to inform them that an official response is subject to approval by the company's board representatives but provided a verbal response to the letter.	Awaiting a response.	No response required	NEGU to chase Navoi mining company for a response.	Project information and questions included in a letter

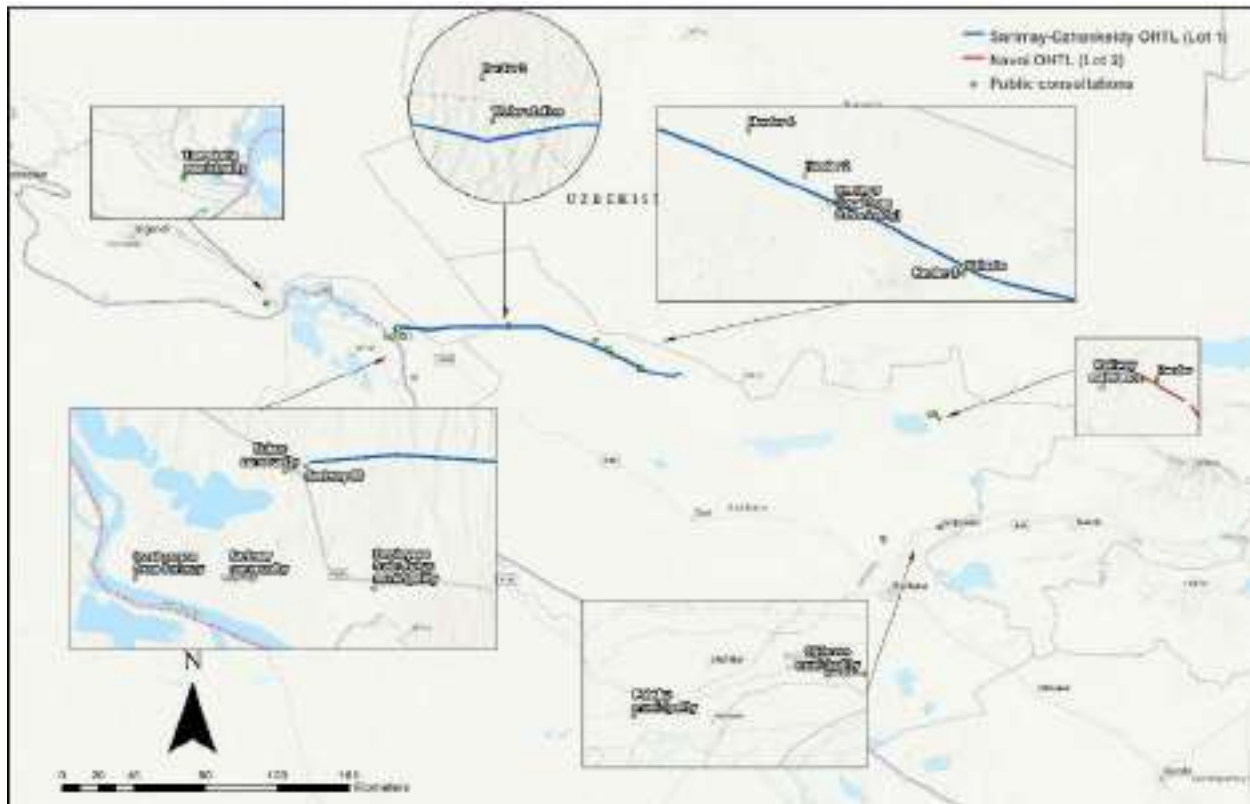
Name of receptor	Date and place of meeting	Summary of discussion	Concerns raised	Responses provided	How concerns were addressed in the ESIA	Information disclosed
JSC "O'zbekiston temir yo'llari"	November 26, 2021	Official request sent to JSC "O'zbekiston temir yo'llari". Official response for the letter not yet received.	Awaiting a response.	No response required.	NEGU to chase JSC "O'zbekiston temir yo'llari" for a response.	Project information and questions included in a letter
Navoi mining company	December 6 and 10, 2021	Phone call with specialists Ilhom Mukhtorov and Sanjar Dustmurodov were conducted on December 6 and December 10, 2021. Clarification regarding sent letter were provided.	Written response to the question was provided via telegram (without response letter on official letter head)	No response required.	Mining combine proposed to clarify final coordinates for Lot 1 and then to check if intersections between water pipeline and Lot 1 is expected.	Project information provided by phone
JS "Uzbekistan Railways"	December 10, 2021	Phone call with senior specialist of the Energy Department Aleksandr Suknin was conducted on December 10 and clarification regarding the letter was provided. Waiting for the official response.	Awaiting a response.	No response required.	NEGU to chase JS "Uzbekistan Railways", for a response.	Project information provided by phone

Name of receptor	Date and place of meeting	Summary of discussion	Concerns raised	Responses provided	How concerns were addressed in the ESIA	Information disclosed
Specialist of Soviet Ministers of Karakalpakstan Republic	December 10, 2021	A telephone conversation undertaken on December 10.	It was determined that Lot 1 administratively does not cross the territory of Turtkul district according to LRU-635 "On the administrative-territorial structure of the RUz". However, public consultations revealed that no cadastral changes have been approved and Turtkul district is still in the stakeholder matrix	No response required	Turtkul district khokimiyat has been removed from the stakeholder matrix.	Project information provided by phone
National Centre of Archaeology	Zoom call February 10, 2022	With a participation of NEGU representative Azizbek Botirov, proposed Project route has been discussed. National Centre in the letter recommended to conduct separate survey along route. It was agreed to consult with National Centre	No concerns were raised	n/a	n/a	

Name of receptor	Date and place of meeting	Summary of discussion	Concerns raised	Responses provided	How concerns were addressed in the ESIA	Information disclosed
		after setting up exact route for OHTL				

Figure 7 provides an overview of the location of stakeholder engagement activities undertaken to date relative to the OHTL routes.

Figure 7: Location of Stakeholder Engagement Completed to Date



2.4 Public Meetings

Information disclosure on the draft of ESIA was completed between January 10 and 13, 2022. The public meetings were arranged with responsible organisations, land users as well as people from the nearest communities to the Project to communicate the findings of the ESIA. A draft of the ESIA (Volume II) and draft NTS (Volume I) were circulated for review to facilitate discussion with stakeholders on the findings of the ESIA and for input into finalisation of the draft final ESIA for wider disclosure. A summary of these consultations is provided in Table 23 below. Records of attendance and minutes of meetings are provided in Annex B.

Table 3: Summary of public meetings

Name of receptor	Date and place of meeting	Summary of discussion	Concerns raised	Responses provided	How concerns were addressed in the ESIA	Information disclosed
Gijduvan district municipality officials (Lot 2)	January 10, 2022	JE provided overall information about the Project, i.e., its location, Project components, conducted E&S studies, expected impacts and proposed mitigation measures.	Meeting participants raised the following questions: <ul style="list-style-type: none"> • What is the total amount of loan for the proposed Project? • Do you know how long construction work will be? • To construct this Project, which organisations/ stakeholders are being planned to be involved? 	JE responded: <ul style="list-style-type: none"> • There is currently no information on the budget that will be required for Project construction. Before providing a loan EBRD, needs to assess the E&S impacts. • There is no exact timeline for construction the Project. First NEGU needs to make sure that route for OHTL will not significantly impact the current state of the environment including biodiversity. • <i>A list of local stakeholders was provided as examples of stakeholders who are involved to the Project.</i> JE has prepared a list of stakeholders who should be consulted based on the outcome of E&S receptor mapping at the Scoping stage. 	No additions were required. Project implementation schedule is included in section 2.7.7 of the ESIA, and Project stakeholders are listed in section 4 of this SEP.	Non-technical summary, ESIA, Project presentation and brochures
Peshku district municipality officials (Lot 1)	January 10, 2022	JE provided overall information about the Project, i.e., its location, Project components, conducted E&S	Meeting participants raised the following questions: <ul style="list-style-type: none"> • Who will finance construction of this Project? 	JE responded: <ul style="list-style-type: none"> • EBRD is considering providing a loan for the implementation of the Project. • At this stage – stage of planning the Project construction company it is not known yet. However, all information related to the 	No additions were required. Project timeline is described in chapter 2.7.7. Parties involved to the Project are described in the	Non-technical summary, ESIA, Project presentation and brochures

Name of receptor	Date and place of meeting	Summary of discussion	Concerns raised	Responses provided	How concerns were addressed in the ESIA	Information disclosed
		studies, expected impacts and proposed mitigation measures.	<ul style="list-style-type: none"> • Is it know which company will be responsible for the construction of OHTL? Is this information available at the moment? • Would you tell us please the voltage of OHTL on which the planned Project is being build? 	<p>Project will be disclosed accordingly on the NEGU's website.</p> <ul style="list-style-type: none"> • Both Lot 1 and Lot 2 will be 500kV. Lot 1 connects with the existing Sarimay substation (SS) and planned Dzhankeldy 500MW Wind Farm. Lot 2 will be connected to the existing Navoi TPP, planned Bash WF's SS and existing Muruntau SS. 	introductory part of ESIA. Project description is provided in section 1 of this SEP.	
Dzhankeldy villagers – meeting with female representatives	January 11, 2022	JE provided overall information about the Project, i.e., its location, Project components, conducted E&S studies, expected impacts and proposed mitigation measures.	No concerns or questions were received during a meeting.	No response required.	No additions were required.	Non-technical summary, ESIA, Project presentation and brochures

Name of receptor	Date and place of meeting	Summary of discussion	Concerns raised	Responses provided	How concerns were addressed in the ESIA	Information disclosed
Dzhankeldy villagers – meeting with male representatives	January 11, 2022	JE provided overall information about the Project, i.e., its location, Project components, conducted E&S studies, expected impacts and proposed mitigation measures.	<p>Meeting participants raised the following questions:</p> <ul style="list-style-type: none"> • What kind of social impacts might this Project have? • Will there be an impact on grazing livestock exercised by the local community? • Will employees be hired from this local community? 	<p>JE responded:</p> <ul style="list-style-type: none"> • A summary of Project social risks was provided. It is important to highlight that all above listed impacts are assessed as “low and medium” risk. The Project will not have any affect to cultural heritage. All Project impacts have been assessed in the ESIA which will be disclosed, and the Project developer will strictly follow to the proposed mitigation. • Yes, the Project will limit grazing activities along the route during construction. Our site visit identified that only three herders along Lot 1 will be affected in terms of grazing area. • Depending on the needs of the Project, NEGU may announce job vacancies during the construction period. 	No additions were required. Project social benefits are included in section 7, impacts on herders are included in section 7.14 and local workforce in section 7.11 of the ESIA.	Non-technical summary, ESIA, Project presentation and brochures
Kalaata villagers – meeting with male representatives	January 11, 2022	JE provided overall information about the Project, i.e., its location, Project components, conducted E&S	<p>Meeting participants raised the following questions:</p> <ul style="list-style-type: none"> • When will construction of this Project start? • What kind of positive impacts does this Project 	<p>JE responded:</p> <ul style="list-style-type: none"> • The Project is in the planning phase. The construction is expected to start in 2023 and construction end in 2024. • The Project expects to improve the grid system of Uzbekistan, provide uninterrupted power supply and connect to the renewable 	No additions were required. Project implementation schedule is included in section 2.7.7, Project benefits in section 2.1 and	Non-technical summary, ESIA, Project presentation and brochures

Name of receptor	Date and place of meeting	Summary of discussion	Concerns raised	Responses provided	How concerns were addressed in the ESIA	Information disclosed
		studies, expected impacts and proposed mitigation measures.	have for Kalaata community? ● Will local people be employed for the construction of the Project?	power plant that will be constructed nearby. ● Depending on the needs of the Project, NEGU may announce job vacancies during the construction period.	local workforce in section 7.11 of the ESIA.	
Kalaata villagers – meeting with female representatives	January 11, 2022	JE provided overall information about the Project, i.e., its location, Project components, conducted E&S studies, expected impacts and proposed mitigation measures.	No concerns or questions were received during a meeting.	No response required.	No additions were required.	Non-technical summary ESIA, Project presentation and brochures
Herders 1-5 (along Lot 1) ⁶	January 11-13, 2022	JE provided overall information about the Project, i.e., its location, Project components,	No concerns or questions were received during a meeting.	No response required.	No additions were required.	Project presentation and brochures

⁶ Please note that there are no herders in radius of 1 km along Lot 2

Name of receptor	Date and place of meeting	Summary of discussion	Concerns raised	Responses provided	How concerns were addressed in the ESIA	Information disclosed
		conducted E&S studies, expected impacts and proposed mitigation measures.				
Nukus community villagers. Including meetings with following groups: - youth and unemployed ; - the elderly; - women	January 12, 2022 With men	JE provided overall information about the Project, i.e., its location, Project components, conducted E&S studies, expected impacts and proposed mitigation measures.	No concerns or questions were received during a meeting.	No response required.	No additions were required.	Non-technical summary ESIA, Project presentation and brochures
Nukus community villagers. - women	January 12, 2022 With women	JE provided overall information about the Project, i.e., its location, Project components,	No concerns or questions were received during a meeting.	No response required.	No additions were required.	Non-technical summary ESIA, Project presentation and brochures

Name of receptor	Date and place of meeting	Summary of discussion	Concerns raised	Responses provided	How concerns were addressed in the ESIA	Information disclosed
		conducted E&S studies, expected impacts and proposed mitigation measures.				
Sarimay community villagers. Including meetings with following groups: - youth and unemployed ; - the elderly; - women	January 12, 2022 With men	JE provided overall information about the Project, i.e., its location, Project components, conducted E&S studies, expected impacts and proposed mitigation measures.	No concerns or questions were received during a meeting.	No response required.	No additions were required.	Non-technical summary ESIA, Project presentation and brochures
Unit on women affairs in Makhalla committee	January 12, 2022	Discussed overall information about the Project.	They disclosed that the women of Sarimay do not attend public meetings for cultural reasons.	No response required.	This SEP has been updated with measures to include the women of Sarimay.	Non-technical summary ESIA, Project presentation and brochures

Name of receptor	Date and place of meeting	Summary of discussion	Concerns raised	Responses provided	How concerns were addressed in the ESIA	Information disclosed
Women in Sarimay community	January 12, 2022	Walk through the village distributing brochures to female villagers.	No concerns or questions were received.	No response required.	This SEP has been updated with measures to include the women of Sarimay.	Brochures
Tuprokkala municipality officials (Lot 1)	January 12, 2022	JE provided overall information about the Project, i.e., its location, Project components, conducted E&S studies, expected impacts and proposed mitigation measures.	No concerns or questions were received during a meeting. Cadastral department of municipality confirmed that no changes in territorial division has been approved yet, so Lot 1 administratively crosses Turtkul district as well.	No response required.	No additions were required.	Non-technical summary ESIA, Project presentation and brochures

3 Stakeholder Engagement Requirements

3.1 Overview

When it comes to implementation of an SEP, it is necessary to ensure that all legal requirements and procedures are followed. The Project will need to comply with the legal requirements of Uzbekistan as well as the EBRD Performance Requirements, which are summarized in the following sections.

3.2 National requirements

Uzbek legislation does not require projects to undertake a stakeholder engagement and communication process. It does not oblige project developers to conduct consultations to assess possible project impacts on local communities and businesses and there is no requirement to disclose the results of the environmental assessment.

The Resolution of Cabinet of Ministries No541 “On further development of mechanism for conducting National Environmental Impact Assessment in Republic of Uzbekistan” does, however, require projects to conduct a public hearing with relevant organizations as well as local communities to receive their support regarding the Project implementation. The public hearing should be recorded and documented with evidence of participants signatures. This requirement is mandatory only for projects under Category I and II. As mentioned in Chapter 1.1, this Project is considered Category I and therefore this requirement will apply. The public hearing will be the responsibility of the entity that is undertaking the national EIA.

3.3 EBRD requirements

EBRD Performance Requirement 10 (PR10) requires identification of stakeholders and establishment of a means of communication with them. All communication, as well as the stakeholders identified, should be documented in a Stakeholder Engagement Plan (SEP) that is subject to public disclosure. The amount of communication required under PR10 is subject to the nature of the project as well as the need for the project to receive baseline information to identify possible project risks and impacts.

PR10 establishes the following key elements for stakeholder engagement:

- stakeholder identification and analysis;
- stakeholder engagement planning;
- information disclosure;
- consultations and participation;
- grievance mechanism;
- ongoing reporting to relevant stakeholders.

Category A ESIA's also need to be disclosed for a total of 120 days prior to project financing. As mentioned in Chapter 1.1, this Project is considered Category A, so this requirement will apply.

4 Identification of Stakeholders and Communication Methods

4.1 Overview

Stakeholders can be considered to be people, groups or organizations that are affected by the Project, either directly or indirectly, and those that may have interests in the Project. Stakeholders that have an interest in the Project may have the ability to influence its outcome, either positively or negatively.

This SEP includes a stakeholder engagement matrix (see Table 4) consisting of individuals, communities, organisations and Government agencies that are considered to be stakeholders of the S-D OHTL. The stakeholder engagement matrix is based on the outcomes of consultations during the Scoping Phase site visit and should be changed or modified, i.e., new stakeholder groups can be added removed, throughout the Project lifecycle as stakeholders and their interest in the Project may change.

By applying a systematic approach, the current stakeholder matrix has been classified into three main categories based on the type of interest:

- (A) Affected/impacted stakeholders (these can be directly or indirectly affected by Project).
- (I) Interest-based stakeholders (those stakeholders that have a certain interest in the Project, i.e., the Project's beneficiaries, NGO's, civil society).
- (D) Decision making stakeholders (groups/individuals/organisations that make a decision regarding the Project, i.e., Project lenders, local regulators etc)

4.2 Stakeholder identification

The S-D OHTL is divided into two sections, Lot 1 and Lot 2. Unless indicated the stakeholder analysis relates to both sections. The information on stakeholders included in Table 4 is based on the site visit conducted from November 12-16, 2021 and the results of surveys undertaken with project affected people (PAP) in Sarimay, Nukus villages in Tuprokkala district of Khorezm region and Dzhankeldy and Kalaata villages in Peshku district of Bukhara region undertaken at the same time, as well as public meetings and FGDs undertaken from January 10-12, 2022. Identified stakeholders were consulted at the ESIA preparation stage and are summarised in the table below:

Table 4: Stakeholder engagement matrix

Stakeholder Group	Stakeholder Entities	Relevance to project: “impact-based” (A), “interest-based” (I), or decision maker (D)	Method of communication
<p>Directly affected communities (local villages, and land users)</p>	Nukus community (Lot 1)	<p>A/I: The closest communities to the planned OHTL route which might be affected by construction works, and potential adverse impacts from construction activity, such as increased dust level, noise and land acquisition.</p>	<p>Face to face meetings / public meetings / public hearings / telegram channel / phone calls / written correspondence/ village walk-throughs / distribution of leaflets / social media.</p>
	Sarimay village (Lot 1)		
	Dzhankeldy village (Lot 1)		
	Kalaata village (Lot 1)		
	Herders 1-3 (Lot 1)		
	State Committee on Sericulture and Wool Industry Development – land owner		
	Kokcha LLC (Lot 2) – subordinate organisation of the Committee/land leaser		
Dzhankeldy LLC (Lot 1) – subordinate organisation of the Committee/ land leaser			
<p>Owners of directly affected infrastructure</p>	<p>Navoi Mining Company, (responsible for water pipelines (Lot 1); the water station (Lot 1); emergency water drainage system (in each 500 m/ 1 km))</p>	<p>A/I: Local structures that may require the Project to follow certain standards during construction in order to avoid any negative</p>	<p>Face to face meetings/ / phone calls / telegram channel / written correspondence.</p>

Stakeholder Group	Stakeholder Entities	Relevance to project: “impact-based” (A), “interest-based” (I), or decision maker (D)	Method of communication
	<p>NEGU (owner of existing transmission lines)</p> <p>Owners of mining areas⁷ (owned by individuals/private legal entities)</p> <p>JS “Uzbekistan Railways”, (owner of two railway branches ‘one crossing’ near Lot 1 that goes in parallel with proposed OHTL route and one with a station close to Lot 2)</p>	<p>consequences/ emergencies as a result of construction.</p> <p>The infrastructure may also have temporary or permanent workers that could be impacted by construction.</p>	
Community leaders	<p>Chairman of ‘Nukus’ Community (Lot 1)</p> <p>Chairman of ‘Sarimay’ Community (Lot 1)</p> <p>Chairman of ‘Kalaata’ and ‘Dzhankeldy’ villages (Lot 2)</p>	A/D: Responsible for affected communities and they can influence the information community members received about the Project.	Face to face meetings / public meetings / public hearings / telegram channel / phone calls / written correspondence.
Indirectly affected communities (in a wider area)	<p>Agitma village (Lot 2)</p> <p>Koklam village (Lot 2)</p> <p>Cholobod village (Lot 2)</p>	A/I: Communities may be impacted by influx of workers, and suffer transportation delays. They may also receive project benefits through employment and procurement activities.	Public meetings / phone calls / telegram channel / distribution of leaflets/ social media.

⁷ Please note that State Committee on Geology and Mineral Resources of the Republic of Uzbekistan oversees the activities. Committee allocates mining areas to legal and physical entities.

Stakeholder Group	Stakeholder Entities	Relevance to project: “impact-based” (A), “interest-based” (I), or decision maker (D)	Method of communication
Vulnerable groups and women	Women	A: Women involved in herding activities may not have access to Project information.	Face to face meetings/ public meetings / public hearings / telegram channel / village walk-throughs / phone calls / written correspondence/ social media.
	Youth/children	A: Youth and children that can be involved in the herding activities (the family members of herders tend to help them). Also, families tend to live on or near the Project AOI in settlements during certain seasons.	
	Elderly and disabled	A. If impacted by the Project, these people may not be able to attend all public meetings and be part of Project planning.	
	Illiterate or semi-literate	A. These people may not be able to understand all information provided about the Project and will need assistance.	
Employees and labour	Herders’ employees	A: May lose their job if resettlement of herders is required.	Face to face meetings / public meetings / social media / telegram channel / phone calls.
	Directly affected infrastructure workers (such as mine workers or water station workers)	A: May be impacted by the construction works, dust or traffic for example.	

Stakeholder Group	Stakeholder Entities	Relevance to project: “impact-based” (A), “interest-based” (I), or decision maker (D)	Method of communication
Industry and business	Methane gas supplier (Sarimay)	A: Main gas supplier (located in Sarimay) could be impacted by traffic during transportation of equipment.	Face to face meetings / public meetings / telegram channel / public hearing/ phone calls.
	Canteens (There are two canteens that are located within 1 km from Project site, and four others that are located at a distance of between 2-5 km from the Project site)	A/I: Food supplies could be impacted by traffic during the transportation of equipment. Canteens may be frequented by workers during construction works.	
Governmental bodies	“Uztransgas” JSC	D: Should be consulted to get information on construction measures to avoid disturbance to gas pipelines.	Face to face meetings / public meetings / phone calls/ written correspondence.
	Uztelecom JSC	D: Should be consulted to get information on construction measures to avoid disturbance to communication lines.	
National Government bodies	“NEGU” JSC	D: Responsible for development of the Project.	Face to face meetings / phone calls/ written correspondence.
	Ministry of Labour Protection and Social Welfare	I: Statutory consultees.	Written correspondence.

Stakeholder Group	Stakeholder Entities	Relevance to project: “impact-based” (A), “interest-based” (I), or decision maker (D)	Method of communication
	Ministry of Health (or MHRUz)	I: Statutory consultees. Also, protection of employee and public safety. Responsible for establishment of health and protection zones around the OHTL.	Written correspondence.
	State Committee of the Republic of Uzbekistan on Ecology and Environmental protection	D: Statutory consultees. Control of national environmental policy (see following rows) and protection standards. Responsible for EIA approval.	Face to face meetings/ phone calls/ written correspondence.
	State Committee for Geology and Mineral Resources (Goskomgeologiya)	D: Approves permits for specific activities carried out on site.	Face to face meetings/ phone calls/ written correspondence.
	National Centre for Archaeology	D: To confirm the presence of objects or locations of archaeological significance.	Face to face meetings/ phone calls/ written correspondence.
	Agency of Cultural Heritage under Ministry of Sport and Tourism of the Republic of Uzbekistan	D: To confirm the presence of objects or locations of cultural significance.	Face to face meetings/ phone calls/ written correspondence.
Provincial / Municipal / Local Government Departments – all	Khorezm regional Khokimiyat	A/D: Will make decisions on land allocation and Project realization.	Face to face meetings/ phone calls/ written correspondence.
	Bukhara regional khokimiyat	A/D: Will make decisions on land allocation and Project realization.	

Stakeholder Group	Stakeholder Entities	Relevance to project: “impact-based” (A), “interest-based” (I), or decision maker (D)	Method of communication
levels (from highest to the lowest)	Peshku district khokimiyat	A/D: Will make decisions on land allocation and Project realization.	
	Gijduvan district khokimiyat	A: Will make decisions on land allocation and Project realization.	
	Turtkul district municipality	A: Will make decisions on land allocation and Project realization.	
Civil society, NGOs, research bodies	NGOs working in the regions, such as Uzbekistan Society for the Protection of Birds (Bird Life)	I: Depending on core purpose of specified NGO.	Face to face meetings/ phone calls/ written correspondence / social media.
Media	Regional and local mass media (newspapers, radio, television as relevant)	I: Will need to be involved in disseminating information about the Project.	Written correspondence / phone calls.
	Telegram channel of Gijduvan municipality “Hokim va tadbirkorlar” (Mayor and businessmen)		
	Telegram channel of Peshku municipality “Peshku.uz”		
	Telegram channel of Tuprokkala municipality “Tuproqqala hokimligi” (Tuprokkala municipality)		

Stakeholder Group	Stakeholder Entities	Relevance to project: “impact-based” (A), “interest-based” (I), or decision maker (D)	Method of communication
Political parties of environmental focus	Ecological party of Uzbekistan	I: Will be interested in the execution of the Project and its environmental impacts and mitigation measures.	Written correspondence.

4.3 Consultation activities

The following methods will be used to inform stakeholders about the stakeholder engagement process during ESIA process:

- Face to face meetings – this method will be applied for directly affected and decision-making groups of stakeholders. It can also, to be implemented with vulnerable groups where relevant.
- Meetings with community leaders – these will be formal and informal meetings held with community leaders to maintain good relations with the communities and address any concerns the communities might have.
- Visual aids and leaflet distribution – this method will be suitable to inform large groups of stakeholders, such as local communities, about the Project, and the grievance mechanism.
- Social media including telegram channels – can be used as communication with stakeholder groups who are not able to meet due to long distances or if they have mobility restrictions due to physical disabilities. Social media can also be used to provide Project updates and to disclose information on upcoming events or meetings.

The primary social media channels that will be used are NEGU's Telegram channels (t.me/uzmetaxborotxizmati and <https://t.me/uzmetaxborotxizmati>) and NEGU's Instagram account (<https://www.instagram.com/uzbekistonmet.uz/>).

- Public hearings – these will be undertaken as per the Uzbek legal requirement during the national EIA phase in order to gain the support of local communities⁸.
- Public meetings – these may be in the form of large group meetings (however at the time of writing this SEP COVID-19 restrictions apply and therefore groups will necessarily be smaller) and will disclose Project information at key implementation phases throughout the Project lifecycle.
- Village walk-throughs – as identified in Sarimay village, some women do not attend public meetings for cultural reasons. Instead, village walk throughs can be undertaken to disclose information to women in the village on a one-to-one basis as they are met walking through the village.
- Focus groups discussions (FGDs) – FGDs will be used to gain information for the ESIA phase as well as conducting consultations with vulnerable groups. These are smaller groups of targeted stakeholders, that will meet to discuss specific topics.
- Written correspondence – this will be used to invite stakeholders to public meetings. Also used to disclose information at key Project phases to a wider distribution of both impacted and interested stakeholders. This will also be used for formal requests to government agencies and other decision making stakeholders.

⁸ Public hearing is a part of the National EIA requirements. Local legislation (Resolution of Cabinet of Ministries No 541) has a specific requirement for public hearings. The consultant team who will be awarded to prepare the National EIA report will be responsible for conducting the public hearing

- Phone calls – used to contact key national and local government stakeholders and also an alternative for vulnerable groups that have difficulty accessing information in other formats. Can also be used in COVID-19 lockdown situations when health or security of stakeholders or staff may be at risk.
- Media releases – may be used at key Project phases to disclose information to wider stakeholder groups.

4.4 Encouraging the participation of women

Considering the local culture and traditions, stakeholder engagement will focus on implementing measures to ensure the active participation of women, especially from local communities, by arranging separate consultations and meetings, and village walk-throughs.

Any meetings, FGDs and consultations will be led by female moderators, in order to create a comfortable atmosphere for women and let them to speak out, express their concerns, worries as well as share feedback.

4.5 Vulnerable groups

Vulnerable groups, in addition to women (discussed above), include youth and children (particularly herders), people with disabilities and the elderly. For this Project, it will also include people with poor literacy or the illiterate. These people will all have difficulty receiving information about the Project, or providing their opinions or raising their concerns about the Project.

To ensure the involvement of vulnerable groups, especially those people who are not able to attend the meetings due to the physical disabilities, stakeholder engagement will be held separately and where possible consultations will be conducted in their homes, or a location easy for them to access.

5 Timing of Upcoming Stakeholder Engagement

5.1 Overview

This section provides a timetable for future stakeholder engagement. Meeting details already known are included where possible, the details for some of the stakeholder engagement will be included in subsequent versions of this SEP.

5.2 Timing

A preliminary schedule of stakeholder engagement for the Project is demonstrated in Table 5 below:

Table 5: Planned stakeholder engagement

No	Planned date	Stakeholder group	Type of engagement	Notes
1	Date for the call has not been confirmed yet	Turtkul municipality – local government	Zoom call	-
2	Date for the call has not been confirmed yet	Owners of mining areas (owned by individuals/private legal entities)	Phone calls / circulation of draft NTS	-
Information disclosure on final draft ESIA				
6	120 days prior to board approval (target March 2022 to June 2022)	All stakeholders	Online disclosure	Disclosure of ESIA (Volume I NTS, Volume II ESIA, Volume III Technical Appendices, Volume IV ESMP, Volume V SEP and Volume VI LARF).
Information disclosure going forward				
7	During the EIA preparation	Communities near to the Project site	Public Hearing	This public hearing will be undertaken as part of the National EIA process.
8	During Livelihood Restoration Plan preparation	Herders and herder employees and local community members	Public meetings, FGDs, social media and face to face meetings	Details to be determined
9	Prior to commencement of construction	All stakeholders	Information disclosure, social media, and public meetings	Details to be determined.
10	At least two weeks before work commences in their grazing area	Herders and herder employees	Face to face meetings	Details to be determined
11	At key milestones during construction or at least monthly	All stakeholders with specific attention to community leaders and local community members	Information disclosure, social media, and public meetings	Details to be determined.
12	Prior to commencement of operations	All stakeholders with specific attention to community leaders and local community members	Information disclosure, social media, and public meetings	Details to be determined.
13	At key milestones during operations or at least annually	All stakeholders	Information disclosure, social media, and public meetings	Details to be determined.

6 Responsibilities and Implementation

6.1 Overview

To ensure the effective functioning of the current SEP and grievance mechanism it is important to determine responsible parties and allocate responsibilities between them. This section will be updated should more responsible parties (such as the Main Contractor) join the Project. As of now, there are three main parties:

- The ESIA Consultant team – Juru Energy (JE);
- Project Implementing Organisation – J.S.C NEGU; and
- The Lender – EBRD.

The responsibilities for each key party are discussed in the sections below.

6.2 Key responsible parties

6.2.1 Juru Energy

JE will be responsible for implementation of stakeholder engagement throughout the scoping and ESIA preparation of the Project. JE's responsibilities include:

- Undertake high-level stakeholder engagement to inform the Scoping Report (undertaken in October 2021).
- Undertake stakeholder engagement, FGDs, and information disclosure to inform the ESIA preparation and disclosure (undertaken between November 2021 and January 2022).
- Provide all stakeholders with grievance mechanism contacts and explain its process (undertaken in January 2022).
- Assist in registering and monitoring and responding to grievances received via the grievance mechanism in coordination with the EBRD, NEGU and other organisations, as necessary.
- Hand over stakeholder engagement and grievance redress requirements to NEGU following the completion of the ESIA phase.

6.2.2 NEGU

NEGU will take over stakeholder engagement requirements following the completion of the ESIA phase. It will be ultimately responsible for stakeholder engagement for the Project lifecycle. NEGU's responsibilities are outlined below:

- Disclose this SEP on NEGU's website.
- Participate in stakeholder engagement organized by JE during the ESIA phase, where relevant.
- Support JE in investigating and closing grievances, during the ESIA phase.
- Update this SEP for the construction and operation phases.

- Take over and implement stakeholder engagement activities for all phases following the ESIA phase.
- Identify suitable staff to implement stakeholder engagement as per the SEP (for example Community Liaison Officer (CLO) and a person responsible for grievance redress).
- Take over and receive, respond and close grievances, after the ESIA phase of the Project, following the grievance mechanism included in this SEP.
- Undertake a public hearing, following Uzbek requirements for Category I projects (by the Consultant that prepares the national EIA)⁹.

6.2.3 EBRD

EBRD has specific requirements for stakeholder engagement under its loan modalities. It also has disclosure requirements that a project must comply with before loan disbursement. EBRD will monitor the implementation of stakeholder engagement per its requirements. EBRD's responsibilities are as follows.

- Disclose this SEP on EBRD's website.
- Disclose the ESIA on the EBRD website.
- Monitor that stakeholder engagement is completed per EBRD PR10 requirements throughout the loan disbursement period.
- Receive and manage any grievances about the Project raised directly to EBRD.

7 Grievance Mechanism

7.1 Overview

EBRD PR10 requires clients to establish an effective grievance mechanism in order to keep communication with stakeholders, i.e., be aware of their concerns, and provide responses to their inquiries. During the ESIA preparation phase of the Project, JE will be responsible for the receipt of grievances with assistance from J.S.C NEGU. However, following the ESIA phase the responsibility for grievance receipt and redress will be entirely the responsibility of NEGU or its delegate.

7.2 Grievance reporting and resolution

Grievances can be raised through the following methods:

- Directly to Project staff during meetings, or Project site visits,
- Via telephone calls
- In written form (text messages, via email, mobile applications, letters, written requests etc).

⁹ Please note that the public hearing should be conducted by the Consultant team that is hired to undertake the National EIA. Preparation of the National EIA is not included in the scope of JE.

Contact details for each of these methods are included in section 7.3.

JE has developed a grievance form to be used when a grievance is received. The grievance form is provided in Annex C. The grievance form is prepared based on location, language preferences as well as communication opportunities for the identified stakeholders.

7.3 Contact details

Contact details of for JE representatives that will be responsible for receipt of grievances during the EISA stage are provided in the table below:

Table 6: Contact details

Company	Contact Details
Juru Energy Viktoriya Filatova – Environmental Consultant	Email: v.filatova@juruenergy.com sarimay_ohtl_esia@juruenergy.com Telephone: +998 712020440
Juru Energy Zilola Kazakova – Senior Social Consultant	Email: z.kazakova@juruenergy.com sarimay_ohtl_esia@juruenergy.com Telephone: +998 712020440

Contact details for NEGU are included in Table 7.

Table 7: NEGU Contact details

Company	Contact Details
NEGU NEGU Complaints line	Telephone +998 7) 236-68-65 Email: info@uzbekistonmet.uz Address: Tashkent city, 100084, Yunusabad district, Osiye street, 42nd house. Web site: uzbekistonmet.uz
NEGU Islombek Saparmatov – NEGU contact person	Email: sarimay.jankeldi@gmail.com Telephone +998 71 236-68-08

7.4 Grievance responsibilities

7.4.1 Juru Energy

During the scoping and ESIA phase, stakeholder engagement is being undertaken by JE. Therefore, JE is acting as the main focus point for stakeholders including PAPs to raise grievances from local communities. Any grievances raised will be recorded in the grievance form and logged in the grievance log. NEGU will assist in the resolution of grievances and JE and/or NEGU will provide a response to the grievance.

7.4.2 NEGU

NEGU will identify sufficient staff members to undertake land acquisition and livelihood restoration engagement activities as required in this LARF. These staff members will start once identified and assist JE in engagement activities. They will take over engagement activities following the ESIA phase. It is expected that a Community Liaison Officer will be identified by NEGU. This person will be the main point of contact between the Project and the local communities.

7.5 Confidentiality and anonymity

The grievance mechanism will keep strict confidentiality of data, including the personal information of all applicants. At the stage of grievance receipt/registration the complainant will be informed that they can submit a grievance anonymously. Complainants will be informed that some grievances may not be able to be responded to if they are made anonymously.

7.6 Grievance resolution options and response

The approaches taken to resolve grievances will depend on the nature, frequency of occurrence and the number of grievances. Upon the receipt of a grievance by any means of communication, it will be entered to the grievance log to ensure that all raised concerns/inquiries are investigated and addressed. The grievance log is provided in Annex D.

After receipt and registration of a grievance, an applicant will receive written notification that includes a proposed timeline for the investigation depending on the request and a preliminary time of receipt of a response.

Responses will be provided in a language that is suitable for the complainant, i.e., Uzbek, Russian or Kazakh. Allocated members of ESIA consultant will be responsible for the receipt and monitoring of grievances during the ESIA phase of the Project. Resolution of the grievance will be communicated to the applicant in written form. In the case that a complainant cannot receive a written response, the complainant will be contacted via telephone and informed of the results of their grievance.

The following table provides the timeframes for response to grievances.

Table 8: Grievance Process and Timeline

Stage	Timeline
Receipt and registration of the grievance	-
Acknowledgement of grievance receipt to the complainant	Maximum 3 days after submission of grievance
Assessment/investigation of the received grievance	Maximum 2 weeks after submission of grievance
Response provided to the complainant	Maximum 2 weeks after submission of grievance
Reassessment of the grievance in case the complainant is not satisfied with the previous response provided	Maximum 2 weeks after notification of dissatisfaction by the complainant

Where complex grievances, or other factors extend the investigation time, the complainant will be informed of this delay and advised of an updated expected timeline for response.

Figure 8 provides a flow chart of how a grievance can be filed by a PAP.

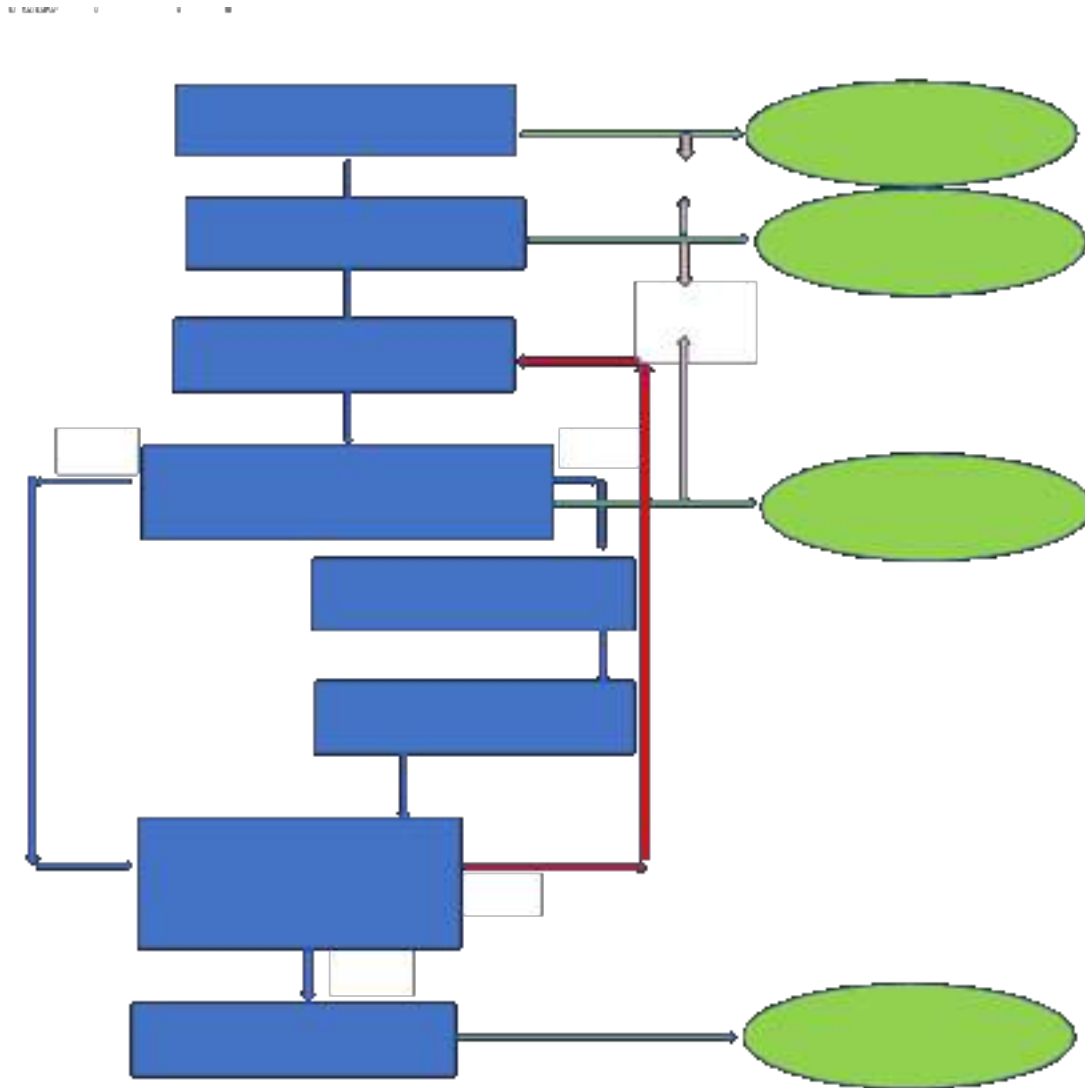


Figure 8: Grievance mechanism flow chart

In cases, where the complainant is not satisfied with proposed solution/response to the grievance, they have the right to take other legal action to resolve the grievance.

8 Reporting

8.1 Overview

There are various activities that require monitoring and reporting as part of this SEP. They are discussed in the following sections.

8.2 SEP reporting

The current SEP will be disclosed as part of ESIA. Should any amendments be made during the future phases of project implementation i.e., construction and operations phases, the SEP will be updated and disclosed in a similar manner.

8.3 CLO reporting

Reporting on CLO activities should include:

- A summary of disclosure activities undertaken by the CLO including meeting minutes, attendance sheets, photographic evidence and copies of adverts placed in newspapers and other media. A stakeholder engagement log has been included in Annex E.
- Minutes of gender specific consultations and consultations with members of vulnerable groups.
- The original written correspondence in relation to stakeholder engagement will be kept, including records of media and social media disclosures. Comments and feedback should also be retained.

8.4 Annual reporting

A Project-specific annual report will be prepared summarising Project performance, CLO activities including grievances and updates to the SEP. The first report will be prepared during the construction phase. Information about the operations phase of the Project can be included in NEGU regular reporting.

8.5 Grievance logging

Tracking and logging for each grievance should be recorded in a grievance log. Each grievance will be given an individual identification number and will be followed through by recording details and timing of its resolution and close-out. A copy of the Project grievance log has been included as Annex D.

1. Annex A: Distributed leaflet during consultations

1. Brochure distributed during Scoping Stage
 - a. English version

ENVIRONMENTAL AND SOCIAL IMPACT ASSESSMENT

The Project is currently in the scoping phase, of the ESIA process. Next steps include collecting physical, biological and socio-economic baseline data along the transmission line routes and in local communities. Potential positive and negative impacts for the construction, operations and decommissioning phases will then be assessed for significance and mitigation. Following that management measures will be developed. The ESIA process will:

- Identify actions that can be taken to eliminate, or at least reduce any negative impacts as a result of the project, to acceptable levels, and enhance project benefits.
- Confirm that costs are not levied on the public or individuals that are greater than the benefits they will receive.

Sequence of Tasks for ESIA Study



SARIMAY-DZHANKELDY TRANSMISSION LINE

INTRODUCTION

The European Bank for Reconstruction and Development (the "EBRD") is considering providing a corporate loan to ISC National Electric Grid of Uzbekistan ("NEGU") to finance construction of an approximately 120 km 500 kV transmission line in Uzbekistan between the settlements of Sarimay (Khorezm region) and Dzhankeldy (Bukhara region) and an approximately 10 km 500kV transmission line (Bukhara region) connecting a new 500kV open switchgear with the 500kV Navoi transmission line (the "Project").

This leaflet has been produced to provide information about the basic characteristics of the Project and its surroundings, and how the environmental and social impacts will be assessed and managed.



Photo credit to Juru Energy Consulting

PROJECT DESCRIPTION AND LOCATION

An approximately 120 km high-voltage transmission line will be constructed in the Bukhara and Khorezm regions and the Republic of Karakalpakstan. The line will connect the proposed Dzhankeldy Wind Power Plant with the existing Sarimay switching station. The following map provides the proposed route of the 120 km transmission line.



In addition, an approximately 10 km 500kV transmission line will be constructed in the Bukhara region of Uzbekistan. It will be constructed between a new 500kV open switchgear near a new wind power plant under development and 500kV transmission line under construction in the Navoi region of Uzbekistan. The following map provides the proposed route of the 10 km transmission line.



The transmission lines will be part of the national electric grid of the country and will strengthen the national electricity transmission system. The lines will also help evacuate electricity from two wind power plants that are expected to be built by a private sponsor in the Bukhara region and will facilitate integration of renewables into the national grid.

CONTACT DETAILS

All comments or queries relating to the International ESIA for the Sarimay-Dzhankeldy Transmission Line should be sent to:

JURU ENERGY CONSULTING LLC, UZBEKISTAN

Name: [Viktoriya Filatova](#), [Zilola Kazakova](#)

Address: 10A, [Chust Str.](#), Tashkent, Uzbekistan, 100077

Email: sarimay_ohtl_esia@juruenergy.com

Phone: +99871 202-04-40

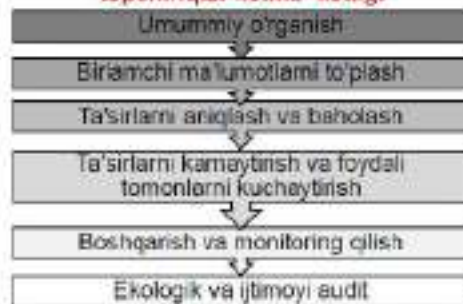
b) Uzbek version

Atrof -muhit va ijtimoiy ta'sirni baholash

Loyiha hozirda Atrof – muhit va ijtimoiy ta'sirni baholash jarayonining keng qamrovli bosqichida. Keyingi bosqichlarda elektr uzatish tarmoqlari bo'ylab va mahalliy jamoalarda jismoniy, biologik va ijtimoiy-iqtisodiy dastlabki ma'lumotlar yig'ildi. Qurilish, eksploatatsiya va foydalanishni to'rtatish bosqichlari uchun potentsial ijobiy va salbiy ta'sirlar ahamiyatligi va ta'sirlarni kamaytirish yoki yumshatish uchun baholanadi. Shundan so'ng, boshqaruv choralari ishlab chiqiladi. Atrof-muhit va ijtimoiy ta'sirni baholash jarayoni quyidagilarni amalga oshiradi:

- Loyiha natijasida yuzaga keladigan salbiy ta'sirlarni maqbul darajaga etkazish yoki hech bo'lmaganda kamaytirish uchun amalga oshirilishi mumkin bo'lgan harakatlarni aniqlash va loyihaning foydasini oshirish.
- Jamiyat yoki jamoniy shaxslardan olinadigan foyda kattaroq bo'lmagan xarajalar olinmasligini ta'dqiqlash.

Atrof-muhit va ijtimoiy ta'sirlarni o'rganish uchun topshiriqlar ketma -ketligi



SARIMAY-JONKELDI ELEKTR UZATISH TARMOG'I

KIRISH

Evropa tiklanish va taraqqiyot banki ("YTTB") AJ "O'zbekiston milliy elektr tarmog'i"ga ("O'MET") 120 kilometr uzunligida bo'lgan Sarimay (Xerazm viloyati) va Jonkeldi (Buxoro viloyati) aholi yashash joylari o'rtasida hamda Buxoro viloyatida qurilishi rejalashtirilayotgan 500 kV yangi ochiq uzatish pedantatsiya atrofida yangi elektr uzatish tarmog'i (Loyiha) qurilishini moliyalashtirish uchun korporativ kredit berishni ko'rib chiqmoqda.

Ushbu ma'lumotnoma Loyihaning asosiy xususiyatlari va uning atrofida joylashgan tuzilmalar, shuningdek, atrof -muhit va ijtimoiy ta'sirlar qanday baholanishi va boshqarilishi haqida ma'lumot berish uchun tayyorlangan.



Juru Energy Consulting kompaniyasining fotosuratlari

LOYIHA TAVSIFI VA JOYLASHUVI

120 kilometr uzunligida bo'lgan 500 kVli yangi elektr uzatish tarmog'i qurilishi rejalashtirilgan. Ushbu tarmoq Qoraqalpog'iston Respublikasi, Xorazm va Buxoro viloyatlari kesib o'tadi. Bu tarmoq qurilishi rejalashtirilayotgan Jonkeldy shamol elektr stantsiyasini mavjud Sarimoy stantsiyasi bilan bog'laydi. Quyidagi xaritada 120 km uzatish liniyasining taklif qilingan yo'nalishi ko'rsatilgan.



Bundan tashqari, Buxoro viloyati G'ashvon tumanida ushbu tarmoqning qo'shimcha 10 kilometr uzunligida bo'lgan liniyasining qurilishi kutilmoqda. Ushbu 10 km tarmoq yangi 500 Mv quvvatga ega bo'ladigan yangi shamol elektrostantsiyasining 500 kVli ochiq elektr uzatish qurilmasi o'rtasida quriladi. Quyidagi xaritada 10 km uzunlikdagi elektr uzatish tarmoqni joylashuvi aks ettirilgan.



Ushbu elektr uzatish tarmoq mamlakatning milliy elektr tarmog'ining bir qismini bo'lib milliy elektr uzatish tizimini mustahkamlashga rejalashtirilgan. Bundan tashqari, Buxoro viloyatida ijtimoiy sharikchilik asosida qurilishi kutilayotgan ikki yirik shamol elektrostantsiyalarni milliy tarmoqqa ulash uchun qo'shimcha elektr uzatish tarmoqlari quriladi.



QO'SHIMCHA MALUMOT UCHUN

Sarimoy-Jankeldy uzatish liniyasining atrof muhit va ijtimoiy ta'sirlarini o'rnatish bilan bog'liq barcha masalalar yuzasidan JURU ENERGY CONSULTING MChJ, (Toshkent, O'ZBEKISTON)ga murojaat qilishingiz mumkin.

Ma'lumot uchun: Viktoriya Fitsova, Zilola Kazakova
 Manzil: 100077, Toshkent, O'zbekiston, Chust ko'chasi, 10A
 E-pochta: sarimay_ohil_esia@juruenergy.com
 Telefon: +99871 202-04-40

2. Annex B: Public meeting disclosure information

a) English version



Juru Energy

INTRODUCTION

The European Bank for Reconstruction and Development (the EBRD) is considering providing a corporate loan to JSC National Electric Grid of Uzbekistan (NEGU) to finance construction of an approximately 127 km 500 kV transmission line (Lot 1) in Uzbekistan between the settlements of Sarimay (Khorezm region) and Dzhankeldy (Bukhara region) and an approximately 10 km 500kV transmission line (Lot 2) (Bukhara region) connecting a new 500kV open switchgear with the 500kV Navoi transmission line (the Project).

Viktoriya Filatova
 v.filatova@juruenergy.com

Zilola Kazakova
 z.kazakova@juruenergy.com

For the further information, feedback and
 inquiries please contact us: (+998) 71 202 04 40

**SARIMAY- DZHANKELDY
500 kV TRANSMISSION
LINE**

Expected positive impacts

- The Government of Uzbekistan has adopted 2030 Energy Strategy to increase its power supply, which defines several objectives and directions for electricity supply and improved stability between 2020-2030.
- Uzbekistan plans to increase the share of renewable energy sources to 25% by 2030.
- The planned Sarimay-Dzhankeldy overhead transmission line (OHTL) (Lot 1) will secure the northwest region's stable power supply.
- Alternative for the existing 220 kV OHTL of the existing line does not operate for any reason, the planned 500 kV OHTL (Lot 1) will continue to supply the consumers with an uninterrupted power supply.
- Sarimay-Dzhankeldy OHTL (Lot 1) will increase the transmission line's transfer capacity, which is fundamental to the wider program to support the wider integration of renewables into the national grid and, in addition, renewables in the northwest region.
- The Navoi-Bashi-Murantau ULO (Lot 2) is an essential connection between planned Navoi Substation and existing Navoi-Besapin OHTL for greater stability and transmission capacity. Planned OHTL will:
 1. Increase transfer capacity
 2. Higher efficiency
 3. Reduce losses

Lot 1 - Sarimay-Dzhankeldy 500kV OHTL



Grievance mechanism

For further information regarding the Project and for submission of comments or complaints as well as providing feedback regarding the Project please contact the numbers included on cover page. The GRM is absolutely free of charge, transparent and without any retaliation to those who use it.

Biodiversity risks and impacts

- For Lot 1 – 22 km section of the OHTL route has been identified as an important habitat for the Southern Even-Fingered Gecko.
- EISA has identified a strategy to minimize this risk (avoid taking as much as possible) and develop mitigation measures to demonstrate net gain.
- The EISA has outlined protection measures for the McQueen's Bustard, Russian Tortoise, Caspian Monitor, Golden Oriole.
- Pre-construction surveys to identify two plant species with protected status (*Acanthochyrium crinalegium* and *Tulipa lehmanniana*) will be conducted before works commence.
- Operational wildlife risk (collision risk and electrocution) can be managed through appropriate design choices (nest densities and Raptor safe nylon designs), and these will be incorporated into the design specification and EPC contracts.
- The Project does not impact any nationally or internationally species of conservation significance.
- Further warm season and migratory season biodiversity survey work is planned to confirm the assumptions in the ESIA relating to reptiles, mammals, birds and wetlands and the status of the OHTL as a critical habitat (as per EBRD PWS).

Impacts to livelihood

- The Project will not require any physical relocation of buildings.
- Project activities with the potential to impact on the land use and livelihood settlement include:
 - Construction activities and temporary land take limiting access to grazing land.
 - Permanent land take for foundations.
 - Removal of vegetation for the right of way impacting grazing, medicinal or sacred plants.
- Livelihood impacts are not expected to be significant and livelihood restoration measures are outlined in the Project Land Acquisition and Livelihood Restoration Framework to address loss of land or income resulting from the construction works or the presence of the OHTL.

Lot 2 - Bashi-Navoi-Murantau 500kV OHTL



Possible E&S impacts and solutions

- The Project is susceptible to climate related risks in physical infrastructure and worker health which can be managed through climate resilient design choices and appropriate emergency response planning.
- Sustainable land clearance practices and rehabilitation and restoration actions will be implemented to ensure disturbed areas of land are not degraded with the potential for erosion and loss of habitat.
- The Project will be structured to minimize impact on soils (compaction/degradation) so as to retain soil structure.
- A detailed archaeological survey for Lot 1) and monitoring program will be developed implement to assess potential to impact on any unknown archaeological artifacts.
- A site waste management plan will be required for each phase of the project to set out the plans for handling and to storing waste.
- Water for the construction phase will be sourced from a suitable source that will not impact on the availability of water in the area.
- Measures have been identified to ensure a negligible impact on air quality, noise, groundwater levels and transportation infrastructure in the local region and these will be managed via dedicated construction management plans.
- EMF risks are deemed to be negligible and awareness raising activities will be performed with herders to reduce exposure when grazing livestock in the right of way.
- Labour modes and supply chain matters are crucial to the successful development of the Project and can only be managed where key obligations on suppliers in contractual documentation as outlined in the ESIA.
- Local employment and procurement will be prioritized. The numbers of employment opportunities will be low. Local communities will be advised if any employment or procurement opportunities arise.
- Labour influx is not expected to be significant, due to the small number of employment positions available for the Project. However, it will be monitored and mitigation measures put in place should an influx occur.
- Community health and safety risk are deemed to be low however the Project will implement awareness raising activities to inform local community members of key risks and the Project grievance mechanism that can be used to raise concerns.
- Occupational health and safety, emergency and communicable disease (such as COVID-19) risks will be identified at the commencement of construction and plans and training provided to workers and community members as necessary.
- All workers will be required to sign a workers code of conduct that includes obligations for recognizing the potential for gender based violence and harassment (GBVH) risks that could be exacerbated by the Project.

b) Uzbek version

LOYIHA HAQIDA MA'LUMOT

Yevropa tiklanish va taraqqiyot banki (YeTTB) hamda "O'zbekiston milliy elektr tarmoqlari"ga (O'MET) 127 km uzunlikda bo'lgan Sarimoy (Xorazm viloyati) va Jonkeldi (Buxoro viloyati) aholi yashash joylari o'rtasida hamda Buxoro viloyatida qurilishi rejalashtirilayotgan 500kV yangi ochiq uzatish podstansiyasi atrofida yangi elektr uzatish tarmog'i (Loyiha) qurilishini moliyalashtirish uchun korporativ kredit berilishini ko'rib chiqmoqda

Viktoriya Flitova
v.flitova@juruenergy.com

Zirola Kozakova
z.kozakova@juruenergy.com

Qo'shimcha ma'lumot uchun quyidagi raqamga murojaat qiling (+998) 71 202 04 40

**SARIMOY- JONKELDI
500kV ELEKTR
UZATISH TARMOG'I**

Loyihadan kutilayotgan ijobiy ta'sirlar

- Elektr uzatish sig'ining oshishi;
- Elektr ta'minotining yuqori samaradorligi;
- Elektr energiyasidagi yo'qotishlarni bartaraf etish.
 - Rejalashtirilgan Sarimoy-Jonkeldi 500kV havo elektr uzatish tarmog'i shimoli-g'arbiy mintaqani barqaror elektr bilan ta'minlaydi;
- Mavjud 220kV havo elektr uzatish tarmog'i uchun mavjibiy (agar mavjud tarmoq biror satabga ko'ra bitmasa, rejalashtirilgan 500kV havo elektr uzatish tarmog'i iste'molchilarni uduksiz elektr energiyasi bilan ta'minlashni davom ettiradi);
- Sarimoy-Jonkeldi 500kV havo elektr uzatish tarmog'i qayta tiklanadigan energiyani milliy tarmoqqa va ayriqisa, shimoli-g'arbiy mintaqada yanada kengroq integratsiyalashuvni qo'llab-quvvatlash dasturi uchun muhim bo'lgan elektr uzatish tarmog'ining samaradorligini oshiradi.

Havo elektr uzatish tarmog'ining yo'naltirishlar: Havo elektr uzatish tarmog'ining 1- yeri maydoni Sarimoy-Jonkeldi yo'nalishi bo'ylab 127 km uzunlikda quriladi.



Havo elektr uzatish tarmog'ining 2-yer maydoni uchun ajratilgan mingga Navoi-Badk-Murtafau Buxoro viloyati Gijduvon tumani Oyoqog'ima va Ko'klam atrofiga yaqinida quriladi.

Biologik xilma-xillikka kutilayotgan ta'sirlar:

- Loyihaning 1-yer maydoni bo'ylab, ya'ni 22 km oqim janubiy hafto barmoqli Geoko uchun muhim yashash joyi sifatida aniqlandi. Atrof muhitga ta'siri baholashda ushbu havni kamaytirish uchun tegishli o'rganish ishlar olib borilmoqda.
- Atrof muhitga ta'siri baholashda ta'sir ostida bo'lgan hayvonlarni, ya'ni toshbova, jayron kabilariga nisbatan himoya choralarini ishlab chiqadi.
- O'simliklar o'zgarishi, ya'ni maydonlarga nisbatan (masalan Acanthochyllum cyrtostegium va Tulipa lehmanniana) himoya choralarini ishlab chiqadi.
- Qushlarga bo'lgan ta'sirlar (toqashuv xavfi va elektr quvvatli monitoring va o'rganish ishlar natijasiga ko'ra tegishli himoya choralarini ishlab chiqiladi).
- Ushbu Loyiha milliy yoki xalqaro darajada himoyaga olingan hayvonot yoki osimlik turlariga ta'sir qilmaydi.

Yashash manbalariga kutilayotgan ta'sirlar:

- Qurilish ishlar va tayanch ustalar natijasida yetkaziladigan zarar va yo'qotishlar;
- Tayanchlar ostidagi yer maydoni doimiy muddatga olinadi;
- Qurilish jarayonida loyiha ta'siri ostidagi yer maydoniga kish va chorva boqish vaqtincha cheklanadi;
- Loyihada bino-inshootlarni ko'chirish talab qilinmaydi.



Muhim ekologik va ijtimoiy ta'sirlar va yechimlar

- Loyiha tijim o'zgarishiga chidamli yechimlar va tegishli favqulodda vaziyatami bartaraf etishni rejalashtirish orqali boqiriladi;
- Yemi sozlashning barqaror usulini, shuningdek, buzilgan yer uchastkalarini potensial eroziya va yashash joylarini yiqitish bilan buzilmasligini ta'minlash uchun tiklash choralarini jori qiladi;
- Loyihaning qurilish ishlarini tuproq ta'dibiga minimal ta'sir etgan holda amalga oshiriladi;
- 1-yer maydoni uchun maxsus analogik tadqiqotlar ishlab chiqiladi va har qanday nomolim arxeologik topimlar uchun potensial ta'siri bartaraf etish monitoring qilinadi;
- Loyihaning barcha bosqichlarida obyektida chiqindilarni boshqarish va ularni saqlash rejalarini belgilanadi;
- Qurilish uchun suv mintaqadagi mos va tegishli manbalardan olinadi;
- Mahalliy mintaqada havo sifatini, shuningdek, yer osti suvlarini darajasi va transport infuziomasiga ta'siri kamaytirish chora-tadbirlari belgilanadi va maxsus boshqarish rejalarini qilinadi;
- Loyihaning chorachilikka bo'lgan ta'sirini kamaytirish uchun informatsion tadbirlar o'kaziladi;
- Qurilish ishlariga asosan mahalliy aholini jalb qilish masalasi ustuvor bo'ladi;
- Loyiha jarayonida ishchi kuchi oqimi sezilarli bo'lmastigi kutilmoqda. Ammo qurilish ishlariga jalb qilin jarayonlari nazorat qilinadi.

Shikoyatlar mexanizmi

Loyiha haqida qo'shimcha ma'lumot olish, shartlar yoki shikoyatlarini taqdim etish, shuningdek, loyiha haqida o'z fikrini berish uchun veb sahifada ko'rsatilgan raqamlarga murojaat qiling. Shikoyatlar mexanizmi foydalanish uchun muntazam bekor va shaffof.

3. Annex C: Project grievance form

a) English Version

Ref №		
1	Name (indicate if complainant preferred to be anonymous)	Full name (if applicable): Gender: Age: Address (if applicable): Occupation (if applicable): I wish my identity not to be disclosed: _____
2	Contact information (need to specify the way to get back to complainant)	Mob phone: Fax: Email: Other (specify):
3	How compliant/feedback/request was received and by whom	Phone call: Text/WhatsApp applications: Verbal communication: Letter/Email: Receiver's name:
4	Purpose of contact	Make a compliant: Give a feedback: Request information: Other (specify):
	Date application was received	Date: Time:
5	Text of applicant's message	

Ref №		
6	Response message (after receipt of application)	<p>Dear _____</p> <p>We confirm that we have received your application. We would like to inform you that your application is under review. You will receive the response within two weeks of submission of the application.</p> <p>We also would like to inform you that you will get written response for the issues you have raised in your request. We will keep you updated. Thank you for your understanding.</p> <p><i>This message was delivered to the applicant by _____ on _____ at ____ via _____</i></p>
7	Summary of the response provided to the applicant	
8	Follow up actions required:	
9	Date the application was closed	Date:

The message was addressed by _____

Date/Month/Year _____

The response was delivered by _____

Date/Month/Year _____

Signature and stamp _____

b) Uzbek version

Ref №		
1	Ism (ariza beruvchi anonim bo'lishni afzal ko'rsatsa, ko'rsating)	F.I.Sh: Jinsi: Yoshi: Manzil (agar mavjud bo'lsa): Kasbi (agar bo'lsa): Mening shaxsim oshkor qilinmasligini istayman: _____
2	Bog'lanish uchun ma'lumot (ariza beruvchiga javob yollash uchun ko'rsatish kerak)	Uyali aloqa: Faks: Elektron pochta: Boshqa (aniqlashtiring):
3	Ariza kim tomonidan v anima orqali qabul qilindi	Telefon orqali murojaat: Telegram/ WhatsApp yoki boshqa vositalar orqali: Og'zaki: Xat/electron pochta: Qabul qilgan shaxs:
4	Murojaat mazmuni	Shikoyat: Fikr bildirish: Qo'shimcha ma'lumot sorash: Boshqa (aniqlashtiring):
	Murojaat qabul qilingan sana	Sana: Vaqt:
5	Murojaat mazmuni	
6	<i>Murojaat qabul qilinganligi to'g'risida ma'lumot (ariza qabul qilinganidan so'ng)</i>	<i>Hurmatli _____ Sizning murojaatingiz qabul qilindi hamda qo'rib chiqish uchun tegishli ma'sullarga yo'llandi.</i>

Ref №		
		<p><i>Murojaatingizga ikki, yoki bir hafta ichida javob yo'llanadi.</i></p> <p><i>Murojbat bo'yicha xabarlarni siga o'z vaqtida yetkazib turamiz. Hamkorligingiz uchun minnatdorchilik bildiramiz.</i></p> <p><i>Ushbu ma'lumot ariza beruvchiga (sana) tomonidan _____ orqali yetkazildi</i></p>
7	Ariza beruvchiga berilgan javobning qisqacha mazmuni	
8	Qo'shimcha ma'lumot yoki boshqa harakatlar:	
9	Murojaatni xal etilgan sana	Sana:

Murojaatga javb tayyorlagan ma'sul _____

Sana/Oy/Yil _____

Murojaat javobini yo'llagan ma'sul _____

Sana/Oy/Yil _____

Imzo va muhr _____

4. Annex D: Project grievance log

Application ID	Received Date	Name of applicant, if applicable	Contact Details if applicable	Preferred Language	Requested Anonymity	Summary of application	Responsible Person for responding	Actions to be undertaken	Due date	Results of the Actions	Closing date	Evidence (if applicable)

5. Annex E: Stakeholder engagement log¹⁰

Date	Location of meeting (if relevant)	Name of organisation and of receptor	Number of attendees	Type of engagement (face to face/ / telephone call/ social media)	Information disclosed (NTS/leaflet etc)	Notes
October 12, 2021	In the office of the khokimiyat	Deputy mayor of the Tuprokkala district khokimiyat	2	Face-to-face meeting	Project leaflet	
October 12, 2021	In the makhalla committee office	Nukus community leader	2	Face-to-face meeting	Project leaflet	
October 12, 2021	Nukus school	Nukus school teachers	2	Face-to-face meeting	Project leaflet	
October 12-13, 2021	Near the entrance of the Sarimay substation	Engineer, Electrician and Technical staff - Sarimay substation	4	Face-to-face meeting	Project leaflet	
October 12-16, 2021	Near the herders' settlement	Local herders	4	Face-to-face meetings	Project leaflet	
October 13, 2021	Near the water station office	Head engineer and two technical staff members - Water station of Navoi Mining Company	3	Face-to-face meeting	Project leaflet	
October 13, 2021	In the makhalla committee office	Sarimay community leader	3	Face-to-face meeting	Project leaflet	Leaflets were also distributed to community members

¹⁰ To be continuously updated throughout the Project implementation

Date	Location of meeting (if relevant)	Name of organisation and of receptor	Number of attendees	Type of engagement (face to face/ / telephone call/ social media)	Information disclosed (NTS/leaflet etc)	Notes
November 12, 2021	Near the herder's settlement	Herder 1 (Sultonmurodov Jakhsimurot)	1	Face-to-face meeting and survey	Project leaflet	
November 13, 2021	n/a	Department of Makhalla and Family Support under Ministry of Makhalla and Family of Republic of Karakalpakstan	2	Phone call	None	
November 15, 2021	In the makhalla committee office	Dzhankeldy village community leader	2	Face-to-face meeting and survey	Project leaflet	
November 15, 2021	Individual households	Dzhankeldy community members	30	Surveys undertaken with community members	Project leaflet	
November 15, 2021	Kalaata village	Kalaata village community leader	2	Face-to-face meeting and survey	Project leaflet	
November 15, 2021	Individual households	Kalaata community members	4	Surveys undertaken with community members	Project leaflet	
November 16, 2021	Near the herder's settlement	Herder 2 (Omonkul Koshmuradov)	1	Face-to-face meeting and survey	Project leaflet	

Date	Location of meeting (if relevant)	Name of organisation and of receptor	Number of attendees	Type of engagement (face to face/ / telephone call/ social media)	Information disclosed (NTS/leaflet etc)	Notes
November 16, 2021	Near the herder's settlement	Herder 3 (Bozorbekov Kenjabek's wife))	1	Face-to-face meeting and survey	Project leaflet	
November 17, 2021	Sarimay village	Sarimay community leader	2	Face-to-face meeting and survey	Project leaflet	
November 17, 2021	Individual households	Sarimay community members	121	Surveys undertaken with community members	Project leaflet	
November 19, 2021	In the makhalla committee office	Nukus community leader	3	Face-to-face meeting	Project leaflet	
November 19, 2021	Individual households	Nukus community members	60	Surveys undertaken with community members	Project leaflet	
November 22, 2021	n/a	Herder 3 (Bozorbekov Kenjabek)	1	Phone call	None	
November 25, 2021	n/a	State Committee of the Republic of Uzbekistan on Ecology and Environmental Protection	n/a	Business correspondence	Project information, and proposed routes for Lots 1&2 with coordinates in letter	

Date	Location of meeting (if relevant)	Name of organisation and of receptor	Number of attendees	Type of engagement (face to face/ / telephone call/ social media)	Information disclosed (NTS/leaflet etc)	Notes
November 26, 2021	In the office of khokimiyat	Khorezm khokimiyat	3	Face-to-face meeting	Project leaflet	
November 26, 2021	n/a	Bukhara khokimiyat	n/a	Business correspondence	Project information, and proposed routes for Lots 1&2 with coordinates in letter	
November 26, 2021	n/a	Ministry of Employment and Labour Relations of the Republic of Uzbekistan	n/a	Business correspondence	Project information, and proposed routes for Lots 1&2 with coordinates in letter	
November 26, 2021	n/a	Ministry of Health (or MHRUz)	n/a	Business correspondence	Project information, and proposed routes for Lots 1&2 with coordinates in letter	
November 26, 2021	n/a	Institute of Archaeology under Academy of Sciences of the Republic of Uzbekistan	n/a	Business correspondence	Project information, and proposed routes for Lots 1&2 with	

Date	Location of meeting (if relevant)	Name of organisation and of receptor	Number of attendees	Type of engagement (face to face/ / telephone call/ social media)	Information disclosed (NTS/leaflet etc)	Notes
					coordinates in letter	
November 26, 2021	n/a	National Centre for Archaeology	n/a	Business correspondence	Project information, and proposed routes for Lots 1&2 with coordinates in letter	
November 26, 2021	n/a	Agency of Cultural Heritage under Ministry of Sport and Tourism of the Republic of Uzbekistan	n/a	Business correspondence	Project information, and proposed routes for Lots 1&2 with coordinates in letter	
November 26, 2021	n/a	“Uztransgas” JSC	n/a	Business correspondence	Project information, and proposed routes for Lots 1&2 with coordinates in letter	
November 26, 2021	n/a	“Uztelecom” JSC	n/a	Business correspondence	Project information, and proposed routes for Lots 1&2 with	

Date	Location of meeting (if relevant)	Name of organisation and of receptor	Number of attendees	Type of engagement (face to face/ / telephone call/ social media)	Information disclosed (NTS/leaflet etc)	Notes
					coordinates in letter	
November 26, 2021	n/a	Navoi mining company (Water station of Navoi Mining company)	n/a	Business correspondence	Project information, and proposed routes for Lots 1&2 with coordinates in letter	
November 26, 2021	n/a	JSC “O‘zbekiston temir yo‘llari”	n/a	Business correspondence	Project information, and proposed routes for Lots 1&2 with coordinates in letter	
December 6 and 10, 2021	n/a	Navoi mining company	3	Phone call	None	
December 10, 2021	n/a	JS “Uzbekistan Railways”,	n/a	Business correspondence	Project information, and proposed routes for Lots 1&2 with coordinates in letter	
December 10, 2021	n/a	Specialist of Soviet of Ministers of	2	Phone call	None	

Date	Location of meeting (if relevant)	Name of organisation and of receptor	Number of attendees	Type of engagement (face to face/ / telephone call/ social media)	Information disclosed (NTS/leaflet etc)	Notes
		Karakalpakstan Republic				
January 10, 2022	In the office of municipality	Gijduvan district municipality officials (Lot 2)	7	Public meeting	NTS/ Project presentation and brochures	
January 10, 2022	In the office of municipality	Peshku district municipality officials (Lot 1)	11	Public meeting	NTS/ Project presentation and brochures	
January 11, 2022	Kallaata village school	Kalaata male community members	7	Public meeting	NTS/ Project presentation and brochures	
January 11, 2022	Kallaata village school	Kalaata female community members	8	Public meeting	NTS/ Project presentation and brochures	
January 11, 2022	Courtyard of local school in Dzhankeldy village	Dzhankeldy male community members	23	Public meeting	NTS/ Project presentation and brochures	
January 11, 2022	Local kindergarten in Dzhankeldy village	Dzhankeldy female community members	12	Public meeting	NTS/ Project presentation and brochures	
January 11-13, 2022	Near the herders' settlements	Herders 1-4 (along Lot 1 and Lot - 2)	4	Face-to-face meetings	Project presentation and brochures	
January 12, 2022	Local school in Nukus village	Nukus male community members	10	Public meeting	NTS/ presentation /	

Date	Location of meeting (if relevant)	Name of organisation and of receptor	Number of attendees	Type of engagement (face to face/ / telephone call/ social media)	Information disclosed (NTS/leaflet etc)	Notes
					Project brochures	
January 12, 2022	Local school in Nukus village	Nukus female community members	8	Public meeting	NTS/ presentation / Project brochures	
January 12, 2022	Local school in Sarimay village	Sarimay male community members	12	Public meeting	NTS/ Project presentation and brochures	
January 12, 2022	Makhalla committee/department on women affairs	Representative of the Unit on women affairs in Makhalla committee	2	Face-to-face meeting	NTS/ Project presentation and brochures	The representative informed JE that women in Sarimay do not attend public meetings.
January 12, 2022	Sarimay village	Women from Sarimay community that were met while walking the village	4	Village walk-through	Brochures	
January 12, 2022	In the office of the municipality	Tuprokkala municipality officials (Lot 1)	14	Public meeting	NTS/ Project presentation and brochures	
February 10, 2022	n/a	Navoi mining combinat	2	Phone call	n/a	We received written response to the letter which was sent on December
February 14, 2022	n/a	State Committee on Sericulture and Wool Development	n/a	Business correspondence	Project information and location of	There were several attempts to reach Kokcha and

Date	Location of meeting (if relevant)	Name of organisation and of receptor	Number of attendees	Type of engagement (face to face/ / telephone call/ social media)	Information disclosed (NTS/leaflet etc)	Notes
		Industry of the Republic of Uzbekistan			proposed routes for Lot 1 and Lot 2	Dzhankeldy LLCs during November (2021) and January (2022) site visits. Since there were no responses and chance to meet with them, we sent a letter to the Committee

Annex F: Photographs of engagement¹¹

a) Public disclosure at Kalaata village



¹¹ Note: This information is to be removed for document disclosure.

b. Public meeting at Gijduvan municipality



c. Meeting with Tuprokalla municipality



d. Public meeting with Sarimay community



e. Brochure distribution among females in Sarimay community





f. Meeting with Peshku municipality staff



g. Distribution of brochures for vulnerable households in Yangibazar city, Peshku district



h. Public meeting with men in Nukus community



i. Meeting with women in Nukus community



j. Meeting with women in Kalaata village



k. Meeting with women in Dzhankeldy village



I. Meeting with men in Dzhankeldy village





m. Meeting with herders



Meeting with Farkhod Khamroyev (H4) (Lot 2)



Meeting with Kenjabek H2 (Lot 1)



Meeting with Jaksimurot Sultonmurodov H1 (Lot 1)



Delivering brochure to Omonkul Kushmuradov's wife H3 (Lot 1)

Annex G: Meeting attendance sheets¹²

Attendance list: Kalaata village male

Kalaata Nov 21.01.2022

13.	Bazarbekov Atdihal			Kulnazarov
14.	Muratbaev Mairan			Muratbaev
15.	Jumabaev Raimbay			Jumabaev
16.	Kulnazarov Turakbay			Kulnazarov
17.	Bazarbekov Kenjebek			Bazarbekov
18.	Bazarbekov Abdiali			Bazarbekov
19.	Polatov Afdak			Polatov
20.				
21.				
22.				
23.				
24.				
25.				
26.				
27.				
28.				
29.				
30.				
31.				
32.				

Attendance list

1. Bazarbekov Atdihal signed
2. Muratbaev Mairan signed
3. Jumabaev Raimbay signed
4. Kulnazarov Turakbay signed
5. Bazarbekov Kenjebek signed
6. Bazarbekov Abdiali signed
7. Polatov Afdak signed

¹² Note: This information is to be removed for document disclosure.

Attendance list: Gijduvan municipality



Jamoatchilik uchrashuvi ishtirokchilar

RO'YXATI

Loyhaning nomi: Sarimoy-Jonkeldi 500kV havo elektr uzatish tarmog'i

O'tkazilgan sanasi: 10/01/2022

Hudud va joy nomi: Tuzung'eva

No	Ishtirokchining ismi va familiyasi	Tashkilot/mahalla nomi	Telefon/mobil aloqa raqami	Izmo
1.	Mujrabov Tolip	Ma'muriy J.T. Boshqaruvi	90-677-30-10	[Signature]
2.	Akhrorov Sherzod	Mass media	91-205-14-44	[Signature]
3.	Takhirov Muzaffar	Department of Investment of Gijduvan district municipality	92-717-82-37	[Signature]
4.	Latipov Nodir	Department of Investment of Gijduvan district municipality	90-304-11-33	[Signature]
5.	Amanov Jakhongir	Department of gas supply in Gijduvan district municipality	90-211-94-11	[Signature]
6.	Rustamov Aziz	Electricity department of Gijduvan municipality	91-410-18-46	[Signature]
7.	Takhirov Muzaffar	Department of Investment of Gijduvan district municipality	91-419-52-34	[Signature]
8.	Tuzung'eva	Tuzung'eva	90744-30-02	[Signature]
9.				
10.				
11.				
12.				

Name of Project: Sarimay-Dzhankeldy 500 kV OHTL

Date: 10/01/2022

Name of territory and place: Gijduvan district municipality

No	Name of participants	Name of organization, of makhalla	Contact numbers	Signature
1	Juraev Tolip	Regional department of NEGU JSC	998934777010	Signed
2	Akhrorov Sherzod	Mass media	998997051444	Signed
3	Takhirov Muzaffar	Department of Investment of Gijduvan district municipality	998997478299	Signed
4	Latipov Nodir	Department of Investment of Gijduvan district municipality	998905141137	Signed
5	Amanov Jakhongir	Department of gas supply in Gijduvan district municipality	998907114411	Signed
6	Rustamov Aziz	Electricity department of Gijduvan municipality	998914101646	Signed

7	Burkhanova Zukhra	Employment assistance centre	998914093274	Signed
8	Tursunov Sherzod	Representative of district municipality	998907447002	Signed

Attendance list: Tuprokkala municipality



Jamoatchilik uchrashuvi ishtirokchilar
RO'YXATI

Loyihaning nomi: Sarimoy-Jonkeldi 500kV havo elektr uzatish tarmog'i
O'tkazilgan sanasi: 12/01/2022
Hudud va joy nomi: Tuprokkala tuman jamoatchilik uchrashuvi

No	Ishtirokchining ismi va familiyasi	Tashkilot/mahalla nomi	Telefon/mobil aloqa raqami	Izmo
1.	Amirjonov Nabiybek	Dehqonlar	97-451-31-31	[Signature]
2.	Djinnatov Zuhrajon	Tuprokkala tumanidagi	99-965-04-24	[Signature]
3.	Samirjonov Monazor	Ko'koraq. Max. Elektr. Tarmog'i	97-570-32-65	[Signature]
4.	Shayxov Farhod	Dehqonlar tumanidagi Tuprokkala	93 972 13-00	[Signature]
5.	Donalayev Davlat	Yilqichilik tashkiloti T.T.B. Yul'ida	99 505 26 07	[Signature]
6.	Shayxov Farhod Ozodbek	Dehqonlar tumanidagi Tuprokkala	98-281-70-00	[Signature]
7.	Ravshanov Marjona	Dehqonlar tumanidagi	99-502-05-00	[Signature]
8.	Kamilov Asadbek	Sarimay "MIA" JSC	99 365 32 76	[Signature]
9.	Ravshanov Marjona	Dehqonlar tumanidagi	99-211-41-71	[Signature]
10.	Shayxov Farhod	Dehqonlar tumanidagi	99 108 08 33	[Signature]
11.	Shayxov Farhod	Dehqonlar tumanidagi	99 384 32 33	[Signature]
12.	Shayxov Farhod	Dehqonlar tumanidagi	92 788 18 10	[Signature]

13.	Shayxov Farhod	Dehqonlar tumanidagi	97 453 83 56	[Signature]
14.	Shayxov Farhod	Dehqonlar tumanidagi		[Signature]
15.	Shayxov Farhod	Dehqonlar tumanidagi	99 578 65 43	[Signature]
16.	Shayxov Farhod	Dehqonlar tumanidagi		[Signature]
17.				
18.				
19.				
20.				
21.				
22.				
23.				
24.				
25.				
26.				
27.				
28.				
29.				
30.				
31.				
32.				

Attendance list

1. Ollaberganov Navruzбек - signed
2. Khojashov Ganijon - signed
3. Sativoldiev Shonazar - signed
4. Kurbonov Gayrat - signed
5. Ollayorov Farhod - signed
6. Yakubov Kazbek - signed
7. Rajabov Mardonbek - signed
8. Komilov Asadbek - signed
9. Rakhimov Murodjon - signed
10. Abdusharipov Sarvarbek - signed
11. Nurberdiev Madat - signed
12. Jumaniyozov Jamalbek – signed
13. Yakubov San'at – signed
14. Alimov Temur – signed

Attendance list: Sarimay village_male



Jamoatchilik uchrashuvi ishtirokchilar

RO'YXATI

Loyihaning nomi: Sarimoy-Jonkeldi 500kV havo elektr uzatish tarmog'i

O'tkazilgan sanasi: 14.03/2022

Hudud va joy nomi: Sarimoy MEA

No	Ishirokchining ismi va familiyasi	Tashkilot/mahalla nomi	Telefon/mobil aloqa raqami	Imzo
1.	Курбанов Ислам	Sarimay	94	[Signature]
2.	Хамидов Расул	—		[Signature]
3.	Сабиров Джуманияз	саримай		[Signature]
4.	Дурдиев Гарли	саримай		[Signature]
5.	Ниязов Давлетбай	саримай		[Signature]
6.	Сайдмуратов Аманкелди	саримай		[Signature]
7.	Саипов Меринияз	саримай		[Signature]
8.	Тураев Джумадурди	саримай		[Signature]
9.	Тураев Тохир	саримай		[Signature]
10.	Дурдиев Аманкелди	саримай		[Signature]
11.	Гаипов Туктамурат	саримай		[Signature]
12.	Мамедов Рузикул	саримай		[Signature]

				130
				131
				132
				133
				134
				135
				136
				137
				138
				139
				140
				141
				142
				143
				144
				145
				146
				147
				148
				149
				150

Attendance list

- 1. Kurbanov Islam signed
- 2. Khamidov Rasul signed
- 3. Sabirov Djumaniyaz signed
- 4. Durdiev Garli signed
- 5. Niyazov Davletbay signed
- 6. Saidmuradov Amankeldi signed
- 7. Saipov Meriniyaz signed
- 8. Turaev Djumadurdi signed
- 9. Turaev Tokhir signed
- 10. Durdiev Amankeldi signed
- 11. Gaipov Tukhtamurat signed
- 12. Mamedov Ruzikul signed
- 13. Kaylakov Boynazar signed

Attendance list: Peshku municipality



Jamoatchilik uchrashuvi ishtirokchilar

RO'YXATI

Loyihaning nomi: Sarimoy-Jonkeldi 500kV havo elektr uzatish tarmog'i

O'tkazilgan sanasi: 10/01/2022

Hudud va joy nomi: Peshku tumanidagi joylar

No	Ishtirokchining ismi va familiyasi	Tashkilot/mahalla nomi	Telefon/mobil aloqa raqami	Izmo
1.	Kuchkarov Aslan Bakievich	Regionial ekologiya va muhojirlik masalalarini hal qilish bo'yicha Markaziy tashkilot	99 351 78 15	[Signature]
2.	Khalilov Abdushavkat	Employment assistance centre of Peshku district	99 413 92 78	[Signature]
3.	Kurbanov Gulamdzhon Usmanovich	Peshku TV	99 552 61 21	[Signature]
4.	Tillaev Sukhrob Salom ugli	Inspection of Ecology and Environmental Protection	99 368 49 87	[Signature]
5.	Achilov Sardor Ataevich	Peshku municipality department economic development	99 503 77 93	[Signature]
6.	[Name]	[Organization]	99 400 50 12	[Signature]
7.	[Name]	[Organization]	99 516 61 21	[Signature]
8.	[Name]	[Organization]	99 302 97 84	[Signature]
9.	[Name]	[Organization]	99 543 20 09	[Signature]
10.	[Name]	[Organization]	99 413 92 78	[Signature]
11.	[Name]	[Organization]	99 552 61 21	[Signature]
12.				

Name of Project: Sarimay-Dzhankeldy 500 kV OHTL

Date: 10/01/2022

Name of territory and place: Peshku district municipality

No	Name of participants	Name of organization, makhalla	Contact numbers	Signature
1	Kuchkarov Aslan Bakievich	Regional ecological party	998993517815	Signed
2	Khalilov Abdushavkat	Employment assistance centre of Peshku district	998994139278	Signed
3	Kurbanov Gulamdzhon Usmanovich	Peshku TV	998997326121	Signed
4	Tillaev Sukhrob Salom ugli	Inspection of Ecology and Environmental Protection	998936849871	Signed
5	Achilov Sardor Ataevich	Peshku municipality department economic development	998995037793	Signed

6	Nurullaev Bakhodir		998934756015	Signed
7	Tuxsanov Uktam		998904166771	Signed
8	Ruziev Fatkhullo	Deputy of district governor	998973089894	Signed
9	Sharapova Khurmat	Newspaper "Voice of Peshku"	998942422008	Signed
10	Juraev Tolip		998934777010	Signed
11	Ismatov Iskandar	Peshku municipality district department Investment of	998996720027	Signed

Attendance list: Nukus village_men



Jamoatchilik uchrashuvi ishtirokchilar

RO'YXATI

Loyihaning nomi: Sarimoy-Jonkeldi 500kV havo elektr uzatish tarmog'i

O'tkazilgan sanasi: 12/01/2022

Hudud va joy nomi: ~~Саримой~~ ~~Жонкельди~~ *Мунча men/women*

No	Ishtirokchining ismi va familiyasi	Tashkilot/mahalla nomi	Telefon/mobil aloqa raqami	Izmo
1.	<i>Абдурипов Отобек Рахромов</i>	<i>Доким ул. 100</i>	<i>593472323</i>	<i>Ab</i>
2.	<i>Рахимов Каюграм</i>	<i>Доким ул. 100</i>	<i>58-146-37-07</i>	<i>Ab</i>
3.	<i>Курбанов Озод</i>	<i>[Large handwritten signature]</i>	<i>93 712 8363</i>	<i>Ab</i>
4.	<i>Джумаев Ражабай</i>		<i>93 611 60-11</i>	<i>Ab</i>
5.	<i>Байжанов Абдурашид</i>		<i>94 596 9529</i>	<i>Ab</i>
6.	<i>Джумаев Жамал</i>		<i>94 594 5101</i>	<i>Ab</i>
7.	<i>Дурдиев Назир</i>		<i>93 614 58 57</i>	<i>Ab</i>
8.	<i>Сапаркулова Намгул</i>		<i>93 717 2575</i>	<i>Ab</i>
9.	<i>Тилекулова Гулрух</i>		<i>934661056</i>	<i>Ab</i>
10.	<i>Рабурава Сурай</i>		<i>94 147 27 89</i>	<i>Ab</i>
11.	<i>Муратово Хумар</i>		<i>893-202-61-91</i>	<i>Ab</i>
12.	<i>Жумакулова Гулшат</i>		<i>894-909-05-80</i>	<i>Ab</i>

13.	<i>Тилекова Алтанури</i>	<i>[Large handwritten signature]</i>	<i>894-141-35-34</i>	<i>Ab</i>	
14.	<i>Мерадова Гулзада</i>		<i>893-741-1361</i>	<i>Ab</i>	
15.	<i>Ахмедова Гулжан</i>		<i>94-909-47-29</i>	<i>Ab</i>	
16.	<i>Сапартаганов Нолат</i>		<i>[Large handwritten signature]</i>		<i>Ab</i>
17.	<i>Джумаев Бахтияр</i>				<i>Ab</i>
18.	<i>Тилеков Мамаат</i>				<i>Ab</i>
19.					
20.					
21.					
22.					
23.					
24.					
25.					
26.					
27.					
28.					
29.					
30.					
31.					
32.					

Attendance list

1. Abdirimov Otabek - signed
2. Rakhimov Khamdam – signed
3. Kurbanov Ozod – signed
4. Djumayev Rejepbay – signed
5. Bayjanov Arazmamet – signed
6. Djumaev Djangeldi – signed
7. Durdiev Makhmet – signed
8. Sapartaganov Polat – signed
9. Djumaev Bakhtiyar – signed
10. Toraev Makaat - signed

Attendance list: Nukus village_female



Juru Energy

Jamoatchilik uchrashuvi ishtirokchilar

RO'YXATI

Loyihaning nomi: Sarimoy-Jonkeldi 500kV havo elektr uzatish tarmog'i

O'tkazilgan sanasi: 12/01/2022

Hudud va joy nomi: ~~Chirchik~~ Nukus men/women

No	Ishtirokchining ismi va familiyasi	Tashkilot/mahalla nomi	Telefon/mobil aloqa raqami	Izmo
1.	Абдурипов Отатон Рахмон	Chirchik	993472323	Staff
2.	Рахмонов Канат	Chirchik	88-146-37-07	Staff
3.	Курбанов Узур	[Large handwritten mark]	93 712 8363	Staff
4.	Джумаев Рахмон		93 611 60-11	Staff
5.	Байжанов Араман		94 596 9529	Staff
6.	Джумаев Жахонгир		94 594 5101	Staff
7.	Дурдиев Махмур		93 614 58 57	Staff
8.	Сапаркулова Махмур		93 717 2579	Staff
9.	Имридурдиева Гулрух		934661056	Staff
10.	Сабурава Сурай		94 147 27 89	Staff
11.	Муратово Хумар		893-202-61-91	Staff
12.	Жумакулова Буршат		894-909-65-80	Staff

13.	Жувакова Алтану	[Large handwritten mark]	894-141-35-34	Staff	
14.	Меърова Гулзада		893-741-1861	Staff	
15.	Амirkhan Усман		94-909-77-25	Staff	
16.	Сапартаганов Тодат		[Large handwritten mark]	[Large handwritten mark]	Staff
17.	Джумаев Бахтиёр				Staff
18.	Тороев Макар				Staff
19.					
20.					
21.					
22.					
23.					
24.					
25.					
26.					
27.					
28.					
29.					
30.					
31.					
32.					

Attendance list

1. Saparkulova Tajgul -signed
2. Glichdurdieva Gulrukh – signed
3. Saburova Suray - signed
4. Muratova Khumor – signed
5. Jumakulieva Gulshat – signed
6. Tuvakova Altingul – signed
7. Meredova Gulzada – signed
8. Annekova Ugiljan – signed

Attendance list:Kalaata village_female



Jamoatchilik uchrashuvi ishtirokchilar
RO'YXATI

Loyihaning nomi: Sarimoy-Jonkeldi 500kV havo elektr uzatish tarmog'i

O'tkazilgan sanasi: 11/01/2022

Hudud va joy nomi: Kalaata kishon

No	Ishtirokchining ismi va familiyasi	Tashkilot/mahalla nomi	Telefon/mobil aloqa raqami	Izmo
1.	Begimbaeva Akknaz	Kalaata ayon	99 206 24 75	signed
2.	Ermanova Perizat Nurmatovna	Kalaata ayon	99 206 55 41	signed
3.	Muratbekova Guljamal	Kalaata ayon	99 206 10 94	signed
4.	Nurdullaeva Ilboy	Kalaata ayon	99 169 45 02	signed
5.	Djalмуратова Aqjarqin	Kalaata ayon	99 40 02 45	signed
6.	Berdenova Ayakoz	Kalaata ayon	99 562 49 03	signed
7.	Uysova Gulmat	Kalaata ayon	99 959 93 95	signed
8.				
9.				
10.				
11.				
12.				

Attendance list

1. Begimbaeva Akknaz - signed
2. Ermanova Perizat - signed
3. Muratbekova Guljamal - signed
4. Nurdullaeva Ilboy - signed
5. Djalмуратова Aqjarqin - signed
6. Berdenova Ayakoz - signed
7. Uysova Gulmat - signed
8. Uaysova Gulmat - signed

Attendance list: Dzhankeldy village_female



Jamoatchilik uchrashuvi ishtirokchilar
RO'YXATI

Loyihaning nomi: Sarimoy-Jonkeldi 500kV havo elektr uzatish tarmog'i

O'tkazilgan sanasi: 11/01/2022

Hudud va joy nomi: *Markaziy Ushmen*

No	Ishtirokchining ismi va familiyasi	Tashkilot/mahalla nomi	Telefon/mobil aloqa raqami	Izmo
1.	<i>Karimbetova Aygerim Turm</i>	<i>D. Markaziy M.P.U.</i>	<i>99 748 891</i>	<i>[Signature]</i>
2.	<i>Baynazarova Aykoz Murodovna</i>	<i>D. Markaziy M.P.U.</i>	<i>99 709 90-94</i>	<i>[Signature]</i>
3.	<i>Kaytanazarova Jaylagul</i>	<i>D. Markaziy M.P.U.</i>	<i>99-702-41-83</i>	<i>[Signature]</i>
4.	<i>Jamantayeva Gaziza Raximovna</i>	<i>D. Markaziy M.P.U.</i>	<i>99-702-86-91</i>	<i>[Signature]</i>
5.	<i>Aktayeva Nabira Jamantayeva</i>	<i>Markaziy M.P.U.</i>	<i>99-709-73-10</i>	<i>[Signature]</i>
6.	<i>Askarbekova Janar Zayniddin qiz</i>	<i>Markaziy M.P.U.</i>	<i>99-706-01-61</i>	<i>[Signature]</i>
7.	<i>Turbayeva Akbayan Akbar qiz</i>	<i>Markaziy M.P.U.</i>	<i>99-709-84-81</i>	<i>[Signature]</i>
8.	<i>Kushova Jannatsignet Murodovna</i>	<i>D. Markaziy M.P.U.</i>	<i>99-709-80-89</i>	<i>[Signature]</i>
9.	<i>Sundetbayeva Ch. Anvarovna</i>	<i>Markaziy M.P.U.</i>	<i>99-702-70-85</i>	<i>[Signature]</i>
10.	<i>Berdimuradova J. Chirchik</i>	<i>Markaziy M.P.U.</i>	<i>99-709-02-19</i>	<i>[Signature]</i>
11.	<i>Kadirova Almagul Kadirovna</i>	<i>Markaziy M.P.U.</i>	<i>99-709-64-73</i>	<i>[Signature]</i>
12.	<i>Kadirova Almagul Kadirovna</i>	<i>Markaziy M.P.U.</i>	<i>99-709-03-91</i>	<i>[Signature]</i>

Attendance list

1. Narimbetova Aygerim signed
2. Baynazarova Aykoz signed
3. Kaytanazarova Jaylagul signed
4. Jamantayeva Gaziza signed
5. Aktayeva Nabira signed
6. Askarbekova Janar signed
7. Turbayeva Akbayan signed
8. Kushova Jannatsignet
9. Sundetbayeva Ch signed
10. Berdimuradova J signed
11. Kadirova Almagul signed

Attendance list: Dzhankeldy village_male



Jamoatchilik uchrashuvi ishtirokchilar
RO'YXATI

Loyihaning nomi: Sarimoy-Jonkeldi 500kV havo elektr uzatish tarmog'i
O'tkazilgan sanasi: 11.01/2022
Hudud va joy nomi: Monaragi men

No	Ishtirokchining ismi va familiyasi	Tashkilot/mahalla nomi	Telefon/mobili aloqa raqami	Izmo
1.	Turjanov Yerejel	Jonkeldi	[Large handwritten signature]	[Signature]
2.	Uvaysov Perdesh			[Signature]
3.	Mardenov Nurgali			[Signature]
4.	Kobayitov Kurbat			[Signature]
5.	Uvaysov Kurbat			[Signature]
6.	Turjanov Yerejel			[Signature]
7.	Kurbatov Kurbat			[Signature]
8.	Kurbatov Kurbat			[Signature]
9.	Kurbatov Kurbat			[Signature]
10.	Kurbatov Kurbat			[Signature]
11.	Kurbatov Kurbat			[Signature]
12.	Kurbatov Kurbat			[Signature]

Monaragi men 11.01.2022

13.	Kurbatov Kurbat	Dzhankeldy	[Large handwritten signature]	[Signature]
14.	Kurbatov Kurbat			[Signature]
15.	Kurbatov Kurbat			[Signature]
16.	Kurbatov Kurbat			[Signature]
17.	Kurbatov Kurbat			[Signature]
18.	Kurbatov Kurbat			[Signature]
19.	Kurbatov Kurbat			[Signature]
20.	Kurbatov Kurbat			[Signature]
21.	Kurbatov Kurbat			[Signature]
22.	Kurbatov Kurbat			[Signature]
23.	Kurbatov Kurbat			[Signature]
24.				
25.				
26.				
27.				
28.				
29.				
30.				
31.				
32.				

Attendance list:

- 1. Turjanov Yerejel signed
- 2. Uvaysov Perdesh signed
- 3. Mardenov Nurgali signed

4. Navruzov Kurbanmurad signed
5. Tagaev Nurturdi signed
6. Turekeev Raman signed
7. Buribayev Kadir signed
8. Umirov Turkanbay signed
9. Tosatlev Juletkul signed
10. Kushov Mirzabay signed
11. Dunanbaev Altintek signed
12. Pulatov Jusip signed
13. Tulepbayev Altinmurad signed
14. Hojabayev Jantulla signed
15. Mirmankulov Kubey signed
16. Uaisov Sadek signed
17. Duisebayev Akilbek signed
18. Nurimjarov Agmet signed
19. Navruzov Altimurad signed
20. Nurtibekov Serik signed
21. Navruzov Altamurad signed
22. Kamalov Muhamed signed
23. Bekturganov Gaibitdin signed

Annex H: Minutes of meetings

MINUTES OF MEETING

Public disclosure meeting with herders

In a framework of ESIA public disclosure for Sarimay-Dzhankeldy 500 kV OHTL Project Juru has visited herders who are going to be affected both along Lot 1 and Lot 2 to deliver information about the planned Project.

Considering the nature of herders' activities Juru Energy did not invite all affected herders to one place. Instead, Juru's team has visited each herder individually to ensure that their activities are not disturbed.

During the visit, brochures prepared for the Project were distributed. Herders were also informed about the GRM and received contact details of responsible staff for GRM.

Stakeholder group:	Directly affected people – herders
Representatives of Project team	Ms Kazakova Zilola – Juru Energy Mr Askar Makhmudov – Juru Energy
Meeting language:	Uzbek
Date:	January 11-13, 2022
Start time:	Various
End time:	Various
Method of engagement:	Direct site visit to the herders' place
Venue:	Settlement of herders
Used materials and visual aids	Brochures

Annex 1

Photos from the meeting with herders



Meeting with Farkhod Khamroyev (H4) (Lot 2)



Meeting with Kenjabek H2 (Lot 1)



Meeting with Jaksimurot Sultonmurodov H1 (Lot 1)



Delivering brochure to Omonkul Kushmuradov's wife H3 (Lot 1)

During a public disclosure Juru's team distributed brochures and informed vulnerable people on Project and provided details of GRM, in case if they want to get more information about the Project or send complaints.

It is necessary to note that not many people were open to a quick talk about the Project. It can be explained that local people still have a fear of Covid spread and prefer not to talk to people whom they do not know.

Whenever team had a chance, they talked to local people and distributed brochures.

Meeting with vulnerable households in Yangibazar city – centre of Peshku district (2 households)



Conversation with person with disabilities in Dzhankeidy village



Meeting with person with disability in Sarimay village



MINUTES OF MEETING

Public disclosure meeting in Dzhankeldy community

In a framework of ESIA public disclosure for Sarimay-Dzhankeldy 500 kV OHTL Project Juru has arranged a public meeting at Dzhankeldy village to deliver them information about the planned Project.

To arrange meetings Juru Energy sent a letter to the Bukhara Regional Municipality asking for assistance to invite the local community. In turn, Peshku municipality has forwarded invitations to the required communities, including Dzhankeldy village. Photos from the meeting are attached in Annex 1 and an attendance list attached in Annex 2

Summary of the consultations is provided below.

Stakeholder group:	Directly affected community – Dzhankeldy village, meeting with male representatives, i.e., the elderly and unemployed youth
Number of participants	23 local people
Representatives of Project team	Mr Askarbek Makhmudov– Social Consultant, Juru Energy
Meeting language:	Uzbek
Date:	11.01.2021
Start time:	11:50 (please note that meeting with men and women was conducted in parallel)
End time:	12:30
Method of engagement:	Pesku district municipality has arranged
Venue:	Local school in Dzhankeldy village
Used materials and visual aids	Project presentation and brochures

I. Agenda for meeting

1. Project description;
2. Location of the Project, its components and facilities;
3. Project milestones;
4. Potential key negative impacts;
5. Potentially positive impacts;
6. Grievance redress mechanism (GRM) contact details;
7. Q&A

II. General conversation with local population

Starting the public consultation, Askar Makhmudov greeted meeting participants. He started conversation with describing the Sarimay – Dzhankeldy 500 kV OHTL Project, its main components, facilities and its preliminary location. Participants were informed about key environmental laws applicable for Project both local and EBRD policies under which Project is being financed.

Moreover, to increase awareness of local people on expected environmental and social impacts, Askar Makhmudov noticed both possible negative and positive impacts as a result of construction and operation of the Project.

Askar Makhmudov informed participants of some negative impacts within the construction and operation phases. Thus, Askar Makhmudov explained that during operation phases temporary land access restrictions could be applied. However, this would be done for safety purposes. He explained that health and safety risks for Dzhankeldy community would be managed through a risk assessment and planning with site-based security. Askar Makhmudov also highlighted some general impacts such as noise pollution, increased dust etc. He mentioned that these negative impacts are going to be managed according to local regulations and international practices. For instance, excavation, drilling works will be stopped during the restricted time by national regulations.

When it comes to environmental impacts, Askar Makhmudov explained that habitat loss and modification were expected due to the constructional and excavation works. Meeting participants were informed that extensive ecological surveys have been conducted since October 2021 to examine local flora and fauna, including endangered species.

Based on survey results, mitigation measures would be developed to avoid or minimize the negative impacts. As far as the operations phase of the Project, such impacts as operational noise, bird collision, and change of landscape are expected, he underlined that to avoid and minimize collision of avifauna, seasonal bird monitoring surveys have been conducted since September 2021.

Among the positive impacts of the Project the following were mentioned

- Ensuring the stable power supply of North-Western region of Uzbekistan;
- Increasing the transfer capacity of the transmission line;
- Reducing the loss of electricity;
- No physical relocation of buildings

Makhmudov Asqar informed the meeting participants that local communities can express their concerns, send complaints or provide feedback regarding the Project through the Grievance Redness Mechanism (GRM). Asqar also explained that all types of inquiries (written, verbal) will be accepted. He underlined that the GRM is completely free of charge and provided contact details for sending applications.

III. Q&A

Question	Answer
<p>Uaisov Perdesh:</p> <p>What kind of social impacts does this Project may have?</p>	<p>Makhmudov Askar:</p> <p>Following social impact assessments are expected by current project:</p> <ul style="list-style-type: none"> - Limiting use of land during the construction phase, i.e., along the ROW and placing towers; - Safety issues for nearest villages, i.e., Nukus community; - Traffic and transportation impacts; - Land loss by local LLC due to the placing of towers. <p>It is important to highlight that all above listed impacts are assessed as “low and medium” risk because:</p> <ul style="list-style-type: none"> - Proposed route for Project is located in safe distance from local communities; - Permanent land acquisition will be required for towers only; - Grazing activities can be restricted during construction stage, considering the safety purposes. <p>The Project will not have any affect to cultural heritage as per results of site walkovers and consultations with authorised stakeholders no objects that have national or local importance have been determined.</p> <p>All Project impacts have been assessed in the ESIA which will disclosed and Project</p>

	developer will strictly follow to the proposed mitigations.
<p>Navruzov Kurbanmurad:</p> <p>Whether it has an impact on grazing livestock exercised by local community?</p>	<p>Makhmudov Askar:</p> <p>Yes, Project will require to limit grazing activities along the route while construction stage. Our site visit identified that only 3 herders along Lot 1 will be affected in terms of grazing area.</p>
<p>Komolov Mukhammad:</p> <p>Will employees be hired from this local community?</p>	<p>Makhmudov Askar:</p> <p>Depending on needs of Project, NEGU may announce job vacancies during the construction period.</p> <p>At this moment Project developer is completing environmental and social impact assessment report. Detailed information regarding job opportunities such as employment terms and conditions, list of vacancies, and requirements for candidates will be available at the further stages of the Project.</p>

After completion of Q&A session, the meeting was over. No negative concerns were received from meeting participants.

Annex 1

Photos from meeting





Annex 2

Attendance list



Jamoatchilik uchrashuvi ishtirokchilar
RO'YXATI

Loyihaning nomi: Sarimoy-Jonkaldi 500kV havo elektr uzatish tarmog'i

O'tkazilgan sanasi: 11/01/2022

Hudud va joy nomi: Mironangh men

No	Ishtirokchining ismi va familiyasi	Tashkilot/mahalla nomi	Telefon/mobil aloqa raqami	Izmo
1.	Топрақов Ёрочев	Jonkaldi	[Large handwritten signature]	Ёрочев
2.	Тошқот Топрақов			Тошқот
3.	Мадрисов Мадрис			Мадрис
4.	Абдураҳманов Абдураҳман			Абдураҳман
5.	Абдураҳманов Абдураҳман			Абдураҳман
6.	Абдураҳманов Абдураҳман			Абдураҳман
7.	Абдураҳманов Абдураҳман			Абдураҳман
8.	Абдураҳманов Абдураҳман			Абдураҳман
9.	Абдураҳманов Абдураҳман			Абдураҳман
10.	Абдураҳманов Абдураҳман			Абдураҳман
11.	Абдураҳманов Абдураҳман			Абдураҳман
12.	Абдураҳманов Абдураҳман			Абдураҳман

МОНГОЛЫН МЭН

11.01.2022

13.	Дундговь аймаг	Дэлхийд		Дундговь
14.	Ховд аймаг			Ховд
15.	Архангай аймаг			Архангай
16.	Ховд аймаг			Ховд
17.	Дундговь аймаг			Дундговь
18.	Ховд аймаг			Ховд
19.	Ховд аймаг			Ховд
20.	Ховд аймаг			Ховд
21.	Ховд аймаг			Ховд
22.	Ховд аймаг			Ховд
23.	Ховд аймаг			Ховд
24.				
25.				
26.				
27.				
28.				
29.				
30.				
31.				
32.				

Attendance list:

1. Turjanov Yerejel signed
2. Uvaysov Perdesh signed
3. Mardenov Nurgali signed
4. Navruzov Kurbanmurad signed
5. Tagaev Nurturdi signed
6. Turekeev Raman signed
7. Buribayev Kadir signed
8. Umirov Turkanbay signed
9. Tosatlev Juletkul signed
10. Kushov Mirzabay signed
11. Dunanbaev Altintek signed
12. Pulatov Jusip signed
13. Tulepbayev Altinmurad signed
14. Hojabayev Jantulla signed
15. Mirmankulov Kubey signed
16. Uaisov Sadek signed
17. Duisebayev Akilbek signed
18. Nurimjarov Agmet signed
19. Navruzov Altimurad signed
20. Nurtibekov Serik signed
21. Navruzov Altamurad signed
22. Kamalov Muhamed signed
23. Bekturganov Gaibitdin signed

MINUTES OF MEETING

Public disclosure meeting in Dzhankeldy village

In a framework of ESIA public disclosure for Sarimay-Dzhankeldy 500 kV OHTL Project Juru has arranged a public meeting at Dzhankeldy village to deliver them information about the planned Project.

To arrange meetings Juru Energy sent a letter to the Bukhara regional municipality asking for assistance to invite local communities. In turn, Bukhara regional municipality has forwarded a request letter to Peshku municipality to assist in conducting meetings with local people in Dzhankeldy. Photos from the meeting are attached in Annex 1 and an attendance list is attached in Annex 2

Summary of the consultations is provided below.

Stakeholder group:	Directly affected community – Dzhankeldy village, meeting with female (young and elderly women) representatives
Number of participants from	12 local people
Representatives of Project team	Mrs Zilola Kazakova – Principal Social Consultant, Juru Energy
Meeting language:	Uzbek
Date:	11.01.2021
Start time:	11:30
End time:	12:25
Method of engagement:	Phone call invitation to the affected population
Venue:	Local kindergarten in Dzhankeldy village
Used materials and visual aids	Project presentation and brochures

I. Agenda for meeting

1. Project description;
2. Location of the Project, its components and facilities;
3. Project milestones;
4. Potential key negative impacts;
5. Potentially positive impacts;
6. GRM contact details;
7. Q&A

II. General conversation with local population

Starting the public consultation, Zilola Kazakova greeted female meeting participants. She introduced the Sarimay – Dzhankeldy 500 kV OHTL Project. She also explained preliminary location of Sarimay 500 kV OHTL Project, its main components and facilities. Participants were informed about key environmental laws applicable for the Project both local and EBRD policies under which the Project is being financed.

Moreover, to increase awareness of local people on the expected environmental and social impacts, Zilola Kazakova mentioned both possible negative and positive impacts as a result of construction and operation of the Project.

Zilola Kazakova informed the attendees of some negative impacts within the construction and operation phases as well. Thus, she explained that during operation phases temporary land access restrictions could be applied. However, this would be done for safety purposes. She explained that health and safety risks for Dzhankeldy living community would be managed through a risk assessment and planning with site-based security. Zilola Kazakova also highlighted some general impacts such as noise pollution, increased dust etc. She mentioned that these negative impacts are going to be managed according to local regulations and international practices. For instance, excavation, drilling works will be stopped during the restricted time by national regulations.

When it comes to environmental impacts, Zilola Kazakova explained that habitat loss and modification were expected due to the constructional and excavation works. Meeting participants were informed that extensive ecological surveys have been conducted since October 2021 to examine local flora and fauna, including endangered species.

Based on the survey results, mitigations measures would be developed to avoid or minimize the negative impacts. As far as the operations phase of the Project such impacts as operational noise, bird collision, change of landscape are expected, he underlined that to avoid and minimize collision of avifauna, seasonal bird monitoring surveys have been conducted since September 2021.

Among the positive impacts of the Project the following were mentioned

- Ensuring the stable power supply of North-Western region of Uzbekistan;
- Increasing the transfer capacity of the transmission line;
- Reducing the loss of electricity;
- No physical relocation of buildings

Zilola Kazakova informed meeting participants that local communities can express their concerns, send complaints or provide feedback regarding the Project through the Grievance Redness Mechanism (GRM). She also explained that all types of inquiries (written, verbal) will be accepted. She underlined that the GRM is completely free of charge and provided contact details for sending applications.

III. Q&A

Zilola Kazakova has not received any question which local females are concerned so the meeting was over. No negative concerns were received from meeting participants.

Annex 1

Photos from meeting



Jufo Energy
Toshkentdagi Sarimay 500kV
11.01.2022.11:48
4034895, 0132996 (18x4)
Buzdara: 179x4
Himbektan dorona, Jozonib





ЖЭ
Д. У. Емгу
Д. У. Емгу-Сатмар 300кV
110, 1022 1200
40.0391, 83.3299 (U10w)
У. Д. О. 160м
Нарынская дорога, Жонгаль

Annex 2

Attendance list



Juru Energy

**Jamoatchilik uchrashuvi ishtirokchilar
RO'YXATI**

Loyihaning nomi: Sarimoy-Jonkeldi 500kV havo elektr uzatish tarmog'i

O'tkazilgan sanasi: 11/01/2022

Hudud va joy nomi: Makkalgi Ushman

No	Ishirokchining ismi va familiyasi	Tashkilot/mahalla nomi	Telefon/mobil aloqa raqami	Izmo
1.	Harimbekova Gulnora Turm	D Makkalgi M.P.U	99 948891	<i>[Signature]</i>
2.	Rahmatullayeva Gulnora Murodovna	D Makkalgi M.P.U	99 709 90-94	<i>[Signature]</i>
3.	Qadriyazarova Naila	D Makkalgi M.P.U	99-702-41-83	<i>[Signature]</i>
4.	Makharova Tajiba Rajabovna	D Makkalgi M.P.U	99-702-86-91	<i>[Signature]</i>
5.	Amalova Gulnora Komilovna	Makkalgi M.P.U	99-709-73-10	<i>[Signature]</i>
6.	Qadriyazarova Naila	Makkalgi M.P.U	99-702-01-61	<i>[Signature]</i>
7.	Turdiyeva Gulnora Murodovna	Makkalgi M.P.U	99-709-84-88	<i>[Signature]</i>
8.	Amalova Gulnora Murodovna	Makkalgi M.P.U	99 709 80 99	<i>[Signature]</i>
9.	Qadriyazarova Gulnora	Makkalgi M.P.U	99-702-70-95	<i>[Signature]</i>
10.	Qadriyazarova Gulnora	Makkalgi M.P.U	99-709-02-19	<i>[Signature]</i>
11.	Qadriyazarova Gulnora	Makkalgi M.P.U	99-757-64-77	<i>[Signature]</i>
12.	Qadriyazarova Gulnora	Makkalgi M.P.U	99-709-03-91	<i>[Signature]</i>

Attendance list

1. Narimbetova Aygerim signed
2. Baynazarova Aykoz signed
3. Kaytanazarova Jaylagul signed
4. Jamantayeva Gaziza signed
5. Aktayeva Nabira signed
6. Askarbekova Janar signed
7. Turbayeva Akbayan signed
8. Kushova Jannat signed
9. Sundetbayeva Ch signed
10. Berdimuradova J signed
11. Kadirova Almagul signed

MINUTES OF MEETING

Public disclosure meeting in Kalata village

In a framework of ESIA public disclosure for Sarimay-Dzhankeldy 500 kV OHTL Project Juru has arranged a public meeting at Kalaata village to deliver information about the planned Project.

To arrange meetings Juru Energy sent a letter to Bukhara municipality asking assistance to invite local stakeholders, including local communities. In turn, Peshku municipality has forwarded an invitation to Kalaata village. Photos from the meeting are attached in Annex 1 and the attendance list is attached in Annex 2.

In addition to the letter from Peshku municipality, Juru Energy contacted Mukhammad Kamalov - head of the community, who is also responsible for Kalaata village, via phone and asked to arrange a meeting with different groups of community (female, elderly people, young people) at the local school.

Photos from the meeting are provided in Annex 1. A list of participants is provided in Annex 2. Summary of the consultations is provided below.

Stakeholder group:	Directly affected community – Kalata village, meeting with female representatives
Number of participants from PAPs	8 villagers
Representatives of Project team	Ms Kazakova Zilola – Principal Social Consultant, Juru Energy
Meeting language:	Uzbek
Date:	11.01.2022
Start time:	13:25
End time:	14:15
Method of engagement:	Notification from Peshku municipality and phone call invitation to community leader
Venue:	In the school village
Used materials and visual aids	Project presentation and brochures

I. Agenda for meeting with PAPs

1. Project description;
2. Location of the Project, its components and facilities;
3. Project milestones;
4. Potential key negative impacts;
5. Potentially positive impacts;
6. GRM contact details;
7. Q&A

II. General conversation with local population

Starting the public consultation, Zilola Kazakova greeted meeting participants in Kalaata community. She introduced Sarimay 500 kV OHTL Project. Zilola also explained the preliminary location of the Sarimay – Dzhankeldy 500 kV OHTL Project, its main components and facilities. Participants were informed about key environmental laws applicable for the Project both local and EBRD policies under which the Project is being financed.

Moreover, to increase awareness of local people on expected environmental and social impacts, Zilola Kazakova noticed both possible negative and positive impacts as a result of construction and operation of the Project. She informed some negative impacts within the construction and operation phases as well. Thus, Zilola Kazakova explained that during the operations phases temporary land access restrictions could be applied. However, this would be done for safety purposes. She explained that health and safety risks for Kalaata community would be managed through risk assessment and planning with site-based security. Zilola Kazakova also highlighted some general impacts such as noise pollution, increased dust etc. She mentioned that these negative impacts are going to be managed according to local regulations and international practices. For instance, excavation, drilling works will be stopped during the restricted time by national regulations.

When it comes to environmental impacts, Zilola Kazakova explained that habitat loss and modification were expected due to the construction and excavation works in Kalaata village. Meeting participants were informed that extensive ecological surveys have been conducted since October, 2021 to examine local flora and fauna, including endangered species.

Based on survey results, mitigation measures would be developed to avoid or minimize the negative impacts. As far as operations phase of the Project such impacts as operational noise, bird collision, change of landscape are expected, she underlined that to avoid and minimize collision of avifauna, seasonal bird monitoring surveys have been conducted since September 2021.

Among the positive impacts of Projects following were mentioned

- Ensuring the stable power supply of North-Western region of Uzbekistan;
- Increasing the transfer capacity of transmission line;
- Reducing the loss of electricity;
- No physical relocation of buildings

Zilola Kazakova informed meeting participants that local communities can express their concerns, send complaint or provide feedback regarding the Project through the Grievance Redress Mechanism (GRM). She also explained that all types of inquiries (written, verbal) will be accepted. She underlined that the GRM is completely free of charge and provided contact details for sending applications.

III. Q&A

Having described the Project Kalaata community, Zilola Kazakova has not received any question from female participants. After completion of Q&A session, the meeting was over. No negative concerns were received from meeting participants.

Annex 1

Photos from meeting





Annex 2

Attendance list



Juru Energy

**Jamoatchilik uchrashuvi ishtirokchilar
RO'YXATI**

Loyihaning nomi: Sarimoy-Jonkeldi 500kV havo elektr uzatish tarmog'i

O'tkazilgan sanasi: 11/01/2022

Hudud va joy nomi: Kalata shohri

No	Ishtirokchining ismi va familiyasi	Tashkilot/mahalla nomi	Telefon/mobil aloqa raqami	Izmo
1.	Boimishayeva Svalnaz.	Kalata shohri	99 206 26 25	Shahar
2.	Ermatova Gulnora Nurmatovna	Kalata shohri	99 206 55 41	Shahar
3.	Krasovskaya Gulnora	Kalata shohri	99 206 10 84	Shahar
4.	Murodovskaya Gulnora	Kalata shohri	99 169 45 02	Shahar
5.	Yuldashevskaya Gulnora	Kalata shohri	99 702 02 45	Shahar
6.	Berdalova Gulnora	Kalata shohri	99 562 49 03	Shahar
7.	Gulnora Gulnora	Kalata shohri	—	Shahar
8.	Yuldashevskaya Gulnora	Kalata shohri	99 959 83 98	Shahar
9.				
10.				
11.				
12.				

Attendance list

1. Begimbaeva Akknaz - signed
2. Ermanova Perizat - signed
3. Muratbekova Guljamal - signed
4. Nurdullaeva Ilboy - signed
5. Djalmuratova Aqjarqin - signed
6. Berdenova Ayakoz - signed
7. Uikik Jarqin - signed
8. Uaysova Gulmat - signed

MINUTES OF MEETING

Public disclosure meeting in Nukus community

In a framework of ESIA public disclosure for Sarimay-Dzhankeldy 500 kV OHTL Project Juru has arranged a public meeting at Nukus village to deliver them information about the planned Project.

To arrange meetings Juru Energy sent a letter to Khorezm regional municipality asking assistance to invite the local community. Having received a letter from the regional municipality, Tuprokkala municipality assisted Juru in arranging meetings in the local communities, including Nukus village. Photos from the meeting are attached in Annex 1 and the attendance list is attached in Annex 2.

Summary of the consultations is provided below.

Stakeholder group:	Directly affected community – Nukus mahalla, meeting with female representatives
Number of participants from PAPs	8 female villagers
Representatives of Project team	Ms Kazakova Zilola – Principal Social Consultant, Juru Energy
Meeting language:	Uzbek
Date:	12.01.2022
Start time:	14:50
End time:	15:15
Method of engagement:	Notification of local villagers from Tuprokkala municipality
Venue:	Local school in Nukus village
Used materials and visual aids	Project presentation and brochures

I. Agenda for meeting with PAPs

1. Project description;
2. Location of the Project, its components and facilities;
3. Project milestones;
4. Potential key negative impacts;
5. Potentially positive impacts;
6. GRM contact details;
7. Q&A

II. General conversation with local population

Starting the public consultation, Zilola Kazakova greeted meeting participants. She started conversation with describing the Sarimay – Dzhankeldy 500 kV OHTL Project.

Moreover, to increase awareness of local people on expected environmental and social impacts, Zilola highlighted both expected negative and positive impacts as a result of construction and operation of the Project. She also explained preliminary location of the Sarimay-Dzhankeldy 500 kV OHTL Project, its main components and facilities. Participants were informed about key environmental laws applicable for the Project both local and EBRD policies under which the Project is being financed.

Zilola Kazakova informed participants about negative impacts within the construction and operation phases as well. Thus, Zilola Kazakova explained that during the operation phase temporary land access restrictions could be applied. However, this would be done for safety purposes. She explained that health and safety risks for the district would be managed through a risk assessment and planning with site-based security. She also highlighted some general impacts such as noise pollution, increased dust etc. Zilola Kazakova mentioned that these

negative impacts are going to be managed according to local regulations and international practices. For instance, excavation, drilling works will be stopped during the restricted time by national regulations.

With regard to environmental impacts, Zilola Kazakova mentioned that habitat loss and modification were expected due to the constructional and excavation works. Meeting participants were informed that extensive ecological surveys have been conducted since October 2021 to examine local flora and fauna, including endangered species.

Based on these survey results, mitigations measures would be developed to avoid or minimize the negative impacts. As far as the operations phase of the Project such impacts as operational noise, bird collision, and change of landscape are expected. She underlined that to avoid and minimize collision of avifauna, seasonal bird monitoring surveys have been conducted since September 2021.

Among the positive impacts of the Project the following were mentioned:

- Ensuring the stable power supply of North-Western region of Uzbekistan.,
- Increasing the transfer capacity of the transmission line.,
- Reducing the loss of electricity.,
- No physical relocation of buildings.,

At the end of meeting, Zilola informed meeting participants that local communities, stakeholders can express their concerns, send complaints or provide feedback regarding the Project through the Grievance Redness Mechanism (GRM). Zilola also explained that all types of inquiries (written, verbal) will be accepted. She underlined that the GRM is completely free of charge and provided contact details for sending applications.

III. Q&A

Having described the Project to the Nukus community, Zilola Kazakova has not received any question from participants. After completion of Q&A session, the meeting was over. No negative concerns were received from meeting participants.

Annex 1

Photos from meeting





Annex 2

Attendance list



Juru Energy

**Jamoatchilik uchrashuvi ishtirokchilar
RO'YXATI**

Loyihaning nomi: Sarimoy-Jonkeldi 500kV havo elektr uzatish tarmog'i

O'tkazilgan sanasi: 12/01/2022

Hudud va joy nomi: ~~Boysun~~ Hujuc men/women

No	Ishtirokchining ismi va familiyasi	Tashkilot/mahalla nomi	Telefon/mobil aloqa raqami	Izmo
1.	Абдурипов Отатон Абдураманов	Хор.м.ш.ш.ш.	593472323	Boh
2.	Рахимов Канграм	Хор.м.ш.ш.ш.	55-146-37-07	Boh
3.	Курбанов Узод	[Large handwritten signature]	93 712 8363	Boh
4.	Джумаев Рахмонбай		93 611 60 11	Boh
5.	Байжанов Араманов		94 596 9529	Boh
6.	Джумаев Жамалди		94 594 5101	Boh
7.	Дурдиев Махмур		93 614 58 57	Boh
8.	Сапаркулова Фаруз		93 717 2529	Boh
9.	Имриддиева Гулрух		934661056	Boh
10.	Сабурова Сурай		94 147 27 89	Boh
11.	Муратово Хумар		893-202-61-91	Boh
12.	Жумакулова Гушам		894-909-05-80	Boh

13.	Шувакова Алтануу	E	894-141-35-34	Staff
14.	Мерздова Тулзадо		893-741-1361	Staff
15.	Амгекеев Угунжан		94-909-47-29	Staff
16.	Сапартаганов Токат		E	Staff
17.	Джумашев Бахтияр			Staff
18.	Тороев Макаат	Staff		
19.				
20.				
21.				
22.				
23.				
24.				
25.				
26.				
27.				
28.				
29.				
30.				
31.				
32.				

Attendance list

1. Saparkulova Tajgul -signed
2. Glichdurdieva Gulrukh – signed
3. Saburova Suray - signed
4. Muratova Khumor – signed
5. Jumakulieva Gulshat – signed
6. Tuvakova Altingul – signed
7. Meredova Gulzada – signed
8. Annekova Ugiljan – signed

MINUTES OF MEETING

Public disclosure meeting in Nukus community

In a framework of ESIA public disclosure for Sarimay-Dzhankeldy 500 kV OHTL Project Juru has arranged a public meeting at Nukus village to deliver them information about the planned Project.

To arrange meetings Juru Energy sent a letter to Khorezm regional municipality asking assistance to invite the local community. Having a received letter from the regional municipality, Tuprokkala municipality assisted Juru in arranging meetings in the local communities, including Nukus village. Photos from the meeting are attached in Annex 1 and the attendance list is attached in Annex 2.

Summary of the consultations is provided below.

Stakeholder group:	Directly affected community – <u>Nukus mahalla</u> , meeting with male representatives
Number of participants from PAPs	10 male villagers
Representatives of Project team	Ms Kazakova Zilola – Principal Social Consultant, Juru Energy Mr Askarbek Makhmudov– Social Consultant, Juru Energy
Meeting language:	Uzbek
Date:	12.01.2022
Start time:	14:00
End time:	14:45
Method of engagement:	Notification of local villagers from Tuprokkala municipality
Venue:	Local school in Nukus village
Used materials and visual aids	Project presentation and brochures

I. Agenda for meeting with PAPs

1. Project description;
2. Location of the Project, its components and facilities;
3. Project milestones;
4. Potential key negative impacts;
5. Potentially positive impacts;
6. GRM contact details;
7. Q&A

II. General conversation with local population

Starting the public consultation, Askar Makhmudov greeted meeting participants. He started conversation with describing Sarimay – Dzhankeldy 500 kV OHTL Project.

Moreover, to increase awareness of local people on expected environmental and social impacts, Asqar Makhmudov noticed both possible negative and positive impacts as a result of construction and operation of the Project. He also explained preliminary location of Sarimay 500 kV OHTL Project, its main components and facilities. Participants were informed about key environmental laws applicable for the Project both local and EBRD policies under which Project is being financed.

Asqar Makhmudov informed participants about negative impacts within the construction and operation phases as well. Thus, Asqar Makhmudov explained that during operations phases temporary land access restrictions could be applied. However, this would be done for safety purposes. He explained that health and safety risks for the district would be managed through risk assessment and planning with site-based security. He also highlighted some general impacts such as noise pollution, increased dust etc. Asqar Makhmudov mentioned that these negative impacts are going to be managed according to local regulations and international practices. For instance, excavation, drilling works will be stopped during the restricted time by national regulations.

With regard to environmental impacts, Asqar Makhmudov mentioned that habitat loss and modification were expected due to the constructional and excavation works. Meeting participants were informed that extensive ecological surveys have been conducted since October 2021 to examine local flora and fauna, including endangered species.

Based on these survey results, mitigations measures would be developed to avoid or minimize the negative impacts. As far as the operations phase of the Project such impacts as operational noise, bird collision, and change of landscape are expected. He underlined that to avoid and minimize collision of avifauna, seasonal bird monitoring surveys have been conducted since September 2021.

Among the positive impacts of the Projects the following were mentioned:

- Ensuring the stable power supply of North-Western region of Uzbekistan.,
- Increasing the transfer capacity of transmission line.,
- Reducing the loss of electricity.,
- No physical relocation of buildings.,

Following Asqar Makhmudov's presentation, Zilola Kazakova informed meeting participants that local communities, stakeholders can express their concerns, send complaints or provide feedback regarding the Project through the Grievance Redress Mechanism (GRM). Zilola Kazakova also explained that all types of inquiries (written, verbal) will be accepted. She underlined that the GRM is completely free of charge and provided contact details for sending applications.

III. Q&A

Having described the Project Nukus living community, Asqarbek Makhmudov has not received any question from participants. After completion of Q&A session, the meeting was over. No negative concerns were received from meeting participants.

Annex 1

Photos from meeting





Annex 2

Attendance list



Juru Energy

**Jamoatchilik uchrashuvi ishtirokchilar
RO'YXATI**

Loyihaning nomi: Sarimoy-Jonkeldi 500kV havo elektr uzatish tarmog'i

O'tkazilgan sanasi: 12/01/2022

Hudud va joy nomi: ~~Chirchik~~ ~~havo~~ Hukme men/women

No	Ishtirokchining ismi va familiyasi	Tashkilot/mahalla nomi	Telefon/mobil aloqa raqami	Izmo
1.	Абдурипов Отасан Рахмонович	Хокимият	99 347 2323	Иш
2.	Рахимов Халол	Хокимият	99-146-37-07	Иш
3.	Курбанов Узор		93 712 8363	Иш
4.	Джумаев Рахмонбай		93 611 60-11	Иш
5.	Байжониев Азамат		94 596 9529	Иш
6.	Джумаев Жамал		94 594 5101	Иш
7.	Дурдиев Махмуд		93 614 58 57	Иш
8.	Сапаркулова Маргарита		93 717 2529	Иш
9.	Тилекулова Гулрух		93 466 10 56	Иш
10.	Сабурова Сурай		94 147 27 89	Иш
11.	Муратов Хумар		893-202-61-91	Иш
12.	Жумакулова Булшат		894-909-65-80	Иш

13.	Мувакова Алтамир	E	894-141-35-34	Staff
14.	Мерядова Гулзада		893-741-1361	Staff
15.	Аббасова Усман		94-909-47-29	Staff
16.	Сапартаганов Талат		E	Staff
17.	Джумаев Бахтиёр			Staff
18.	Тюроев Мамаат	Staff		
19.				
20.				
21.				
22.				
23.				
24.				
25.				
26.				
27.				
28.				
29.				
30.				
31.				
32.				

Attendance list

1. Abdirimov Otabek - signed
2. Rakhimov Khamdam – signed
3. Kurbanov Ozod – signed
4. Djumayev Rejepbay – signed
5. Bayjanov Arazmamet – signed
6. Djumaev Djangeldi – signed
7. Durdiev Makhmet – signed
8. Sapartaganov Polat – signed
9. Djumaev Bakhtiyar – signed
10. Toraev Makaat - signed

MINUTES OF MEETING

Public disclosure meeting in Peshku municipality

In a framework of ESIA public disclosure for Samiray-Dzhankeldy 500 kV OHTL Project Juru has arranged a public meeting at Peshku municipality to deliver them information about the planned Project.

To arrange meetings Juru Energy sent a letter to Bukhara regional municipality asking assistance to invite relevant stakeholders. In turn, regional municipality has forwarded the invitation to the required district municipalities, including Peshku. The invitation letter is provided in Annex 1. Photos from meeting are attached in Annex 2. The attendance list is provided in Annex 3.

Summary of the consultations is provided below.

Stakeholder group:	Regional state organizations
Number of participants from PAPs	11 employees of the municipality
Representatives of Project team	Ms Kazakova Zilola – Principal Social Consultant, Juru Energy Mr Askar Makhmudov– Social Consultant, Juru Energy
Representative of NEGU	Mr. Jurayev Tolib – representative of Bukhara branch of NEGU
Meeting language:	Uzbek
Date:	10.01.2022
Start time:	09:50
End time:	11:00
Method of engagement:	Invitation letter to Bukhara regional municipality
Venue:	Conference room of Peshku municipality
Used materials and visual aids	Project presentation and brochures

I. Agenda for meeting with PaPs

1. Project description;
2. Location of the Project, its components and facilities;
3. Project milestones;
4. Potential key negative impacts;
5. Potentially positive impacts;
6. GRM contact details;
7. Q&A

II. General conversation with local population

Starting the public consultation, Zilola Kazakova greeted meeting participants. She introduced Sarimay – Dzhankeldy 500 kV OHTL Project. Askar also explained the preliminary location of the Sarimay – Dzhankeldy 500 kV OHTL Project, its main components and facilities. Participants were informed about key environmental laws applicable for the Project both local and EBRD policies under which Project is being financed.

To increase awareness of local people on expected environmental and social impacts, Zilola noticed both possible negative and positive impacts as a result of construction and operation of the Project.

Having described positive impacts, Zilola Kazakova informed participants about negative impacts within the construction and operation phases as well. Thus, Zilola Kazakova explained that during the operations phase temporary land access restrictions could be applied. However, this would be done for safety purposes. She explained that health and safety risks for community would be managed through risk assessment and planning with site-based security. She also highlighted some general impacts such as noise pollution, increased dust etc. Zilola Kazakova mentioned that these negative impacts are going to be managed according to local regulations and international practices. For instance, excavation, drilling works will be stopped during the restricted time by national regulations.

With regard to environmental impacts, Zilola Kazakova mentioned that habitat loss and modification were expected due to the constructional and excavation works. Meeting participants were informed that extensive ecological surveys have been conducted since October 2021 to examine local flora and fauna, including endangered species.

Based on these survey results, mitigations measures would be developed to avoid or minimize the negative impacts. As far as the operations phase of the Project such impacts as operational noise, bird collision, and change of landscape are expected. She underlined that to avoid and minimize collision of avifauna, seasonal bird monitoring surveys have been conducted since September 2021.

Among the positive impacts of the Project the following were mentioned:

- Ensuring the stable power supply of North-Western region of Uzbekistan.,
- Increasing the transfer capacity of the transmission line.,
- Reducing the loss of electricity.,
- No physical relocation of buildings.,

Following Zilola Kazakova's presentation, Makhmudov Askar informed meeting participants that local communities, stakeholders can express their concerns, send complaints or provide feedback regarding the Project through the Grievance Redness Mechanism (GRM). Askar also explained that all types of inquiries (written, verbal) will be accepted. He underlined that GRM is completely free of charge and provided contact details for sending applications.

III. Q&A

Questions and answers session followed the introduction to the general terms of compensation package.

Question	Answer
<p>Ismatov Iskandar: Who will finance construction of this Project?</p>	<p>Zilola Kazakova: European Bank of Reconstruction and Development is considering providing a loan for the implementation of the current project.</p>
<p>Ruziev Fatxullo: Is it know which company will be responsible for the construction of OHTL? Is this information available at the moment?</p>	<p>Zilola Kazakova: At this stage – stage of project planning, it is not known yet. However, all information related to the Project will be disclosed accordingly on the NEGU's website.</p>

Tuxsanov Uktam:

Would you tell us please the voltage of OHTL on which the planned Project is being build?

Zilola Kazakova:

Both Lot 1 and Lot 2 will be 500kV. Lot 1 connects with existing Sarimay substation (SS) and planned Dzhankeldy 500MW Wind Farm. Lot 2 will be connected to existing Navoi TPP – planned Bash WF's SS – existing Muruntau SS.

Annex 1: Invitation letter

JURU ENERGY CONSULTING
MA'SULIYATI CHEKLANGAN JAMIYAT

100077, Toshkent, M.Ulug'bek tumani, Chust ko'chasi, 10-uy.
INN: 303454532, BIC: 00974 Bank: «Kapitalbank» A/N: 20208000600502375001

JEC-OUT-21-445
29.12.2021

Buxoro viloyati hokimi
B.K.Zaripovga

Hurmatli Botir Komilovich!

Yevropa Tiklanish va Taraqqiyot Banki (ETTb) va O'zbekiston Milliy Elektr Tarmoqlari (O'MET) aksiyadorlik jamiyati o'rtasidagi O'zbekiston Respublikasida elektr uzatish tarmoqlari ta'minoti ishonchligi, barqarorligi va samaradorligini oshirish maqsadida suveren kredit ajratilishi bo'yicha kelishilmoqda. Mazkur kredit asosidagi moliyalashtirish quyidagi tarmoq qurilishlari belgilangan:

- Lot 1** - O'zbekiston Respublikasi Xorazm viloyatidagi mavjud "Sarimoy" podstansiyasi hamda Buxoro viloyatining Peshku tumanidagi "Dzhankeldy" shamol elektr stansiyasi (takomillashtirilmoqda) o'rtasida 500kV yuqori kuchlanishli 127 km uzunlikdagi havo elektr uzatish tarmog'i qurilishi (1-ilova).
- Lot 2** - Buxoro viloyati G'ijduvon tumanida rejadagi Bash podstansiyasining (takomillashtirilmoqda) 500kV yuqori kuchlanishli Muruntau-Navoi havo elektr uzatish tarmog'ining qo'shimcha 10 km uzunlikdagi havo elektr uzatish tarmog'i qurilishi (1-ilova).

Mazkur loyihaning atrof-muhit va ijtimoiy ta'sirni baholash hisobotini tayyorlash uchun Evropa Tiklanish va Taraqqiyot Banki tomonidan Juru Energy MChJ maslahatchi etib tayinlandi. Loyiha doirasida Juru Energy MChJ Buxoro viloyatining Peshku va G'ijduvon tumanlarida manfaatdor tashkilotlar va loyiha ta'siri ostida bo'lgan aholi o'rtasida jamoatchilik habardorligini oshirish yuzasidan jamoatchilik eshittiruvini o'tkazishni rejalashtirmoqda. Jamoatchilik uchrashuvlari tuman hokimligi va loyiha hududiga yaqin mahalla fuqarolar yig'ini binosida o'tkaziladi.

Shu munosabat bilan, Sizdan jamoatchilik eshittiruvlarini quyidagi jadval asosida tashkil etishda va tegishli manfaatdor tashkilot vakillarining (2 ilovada) ishtirokini ta'minlashda amaliy yordam berishingizni so'raymiz.

No.	Kun	Vaqt	Joy	Qatnashchilar
1.	10/01/2022	10:00-11:00	Peshku tuman hokimligi majlislar zali	Peshku tuman hokimligining tegishli bo'limi vakillari
2.	10/01/2022	14:00-15:00	G'ijduvon tuman hokimligi majlislar zali	G'ijduvon tuman hokimligining tegishli bo'limi vakillari
3.	11/01/2022	11:00-12:30 14:00-15:30	Jonkeldi mahalla fuqarolar yig'ini binosi va Qalaata qishlog'i	MFY raisi va aholi o'rtasida uchrashuv 2 guruhda o'tkaziladi. 1-guruh: keksa yoshli fuqarolar va yoshlar 2- guruh: ayollar va qizlar

Hamkorligingiz va ko'magingiz uchun minnatdorchilik bildiramiz.

Loyiha joylashuvi va manfaatdor tashkilotlar ro'yxati ilovaga muvofiq taqdim etilmoqda.

ilova 2 varoqda.

Hurmat bilan,

Direktor

J.Ismailov

Murojaat uchun:
Asqar Maxmudov, tel: +998974405010
O'ktam Jo'raev, tel: +998914777090



LOT 1 - Sarimoy-Jonkeldy 500kV havo elektr uzatish tarmog'i (127 km)



LOT 2 - Bash SHES 500kV havo elektr uzatish tarmog'i (10 km)



Unofficial translation

ОБЩЕСТВО С ОГРАНИЧЕННОЙ ОТВЕТСТВЕННОСТЬЮ
JURU ENERGY CONSULTING

100077, Tashkent, M.Ulugbek region, Chust Street, house # 10.

TIN: 303454532, BIC: 00974 Bank: «Kapitalbank» A/N: 20208000600502375001

JEC-OUT-21-445

29.12.2021

To Bukhara regional Khokimiyat

In order to improve the reliability, stability and efficiency of transmission network and quality of the electricity supply in Uzbekistan, the European Bank for Reconstruction and Development is considering providing a sovereign loan to the Republic of Uzbekistan to Joint-Stock Company National Electric Grid of Uzbekistan to finance the construction of a 500 kV overhead transmission line in Uzbekistan between the existing Sarimay substation in Khorezm region and the planned Dzhankeldy substation in Bukhara region - Lot 1; and a related 10 km 500kV Line-in Line out OHTL from the Bash switching station (under development) to the 500 kV Muruntau-Navoi OHTL (currently under construction) - Lot 2. Preliminary location of Lot 1 and Lot 2 (Annex 1).

EBRD has appointed Juru Energy LLC as the Environmental and Social Impact Assessment Consultant for the Project. As a part of an ESIA report, Juru is planning to provide public hearings with stakeholders and PAPs in Peshku and Gijduvon districts of Bukhara region.

Public hearings will be provided in district khokimiyats and living communities located near the Project area based on the table below.

Considering the above, we kindly seek your support in arranging public hearings at Gijduvon khokimiyat with the following stakeholders.

No.	Date	Time	Venue	Participants
1.	10/01/2022	10:00	Peshku district khokimiyat	Representatives of relevant departments of Peshku district Khokimiyat
2.	10/01/2022	14:00	Gijduvan district khokimiyat	Representatives of relevant departments of Gijduvan district Khokimiyat
3.	11/01/2022	16.30-18.30	Dzhankeldy and Kalaata villages community office	Head of community/elderly people/youth (group 1) Community women (group 2)

Thank you very much for your assistance and we look forward to your response.

Yours Sincerely,

Director

J.Ismailov

For further information please contact:

Askarbek Makhmudov **Tel:** +998974485515

Uktam Juraev **Tel:** +998914777090

LOT 1 - OHTL Sarimay-Dzhankeldy 500kV (127 km)



LOT 2 - OHTL Bash 500kV (10 km)



Invitation letter to the stakeholders

Uchrashuvga taklif etiladigan tegishli manfaatdor tashkilotlar RO'YXATI

1. "O'zbekiston milliy elektr tarmoqlari" Aksiyadorlik Jamiyati hududiy boshqarmasi
2. "Uztransgas" Aksiyadorlik Jamiyati hududiy boshqarmasi
3. "Uztelecom" Aksiyadorlik Jamiyati hududiy filiali
4. Sog'liqni saqlash boshqarmasi
5. Ekologiya va atrof-muhitni muhofaza qilish sohasidagi nazorati bo'yicha inspeksiyasi (hududiy vakil)
6. Bandlikka ko'maklashish markazi (hududiy vakil)
7. Kon-ekologiya faoliyatini nazorat qilish inspeksiyasi (hududiy vakil)
8. Madaniy meros boshqarmasi (hududiy vakil)
9. O'zbekiston Qushlarini Himoya Qilish Jamiyati va soha bo'yicha NNT lar vakillari
10. O'zbekiston ekologik partiyasi (hududiy vakil)
11. Hududiy ommaviy axborot vositalari

Unofficial translation

A list of Stakeholders to be invited to the meeting

1. Regional department of NEGU JSC
2. Regional department of "Uztransgaz" JSC
3. Regional department of "Uztelecom" JSC
4. Department of health-care
5. Regional representative of Inspection of Ecology and Environmental Protection
6. Regional representative of employment assistance centre
7. Regional representative of inspection of the Mining and Environmental Control
8. Regional representative of department of the Cultural Heritage
9. Uzbek society for the protection of birds and related NGO representatives
10. Regional representatives of Ecological party of Uzbekistan
11. Regional mass media representatives

Annex 2

Photos from the meeting





Annex 3

Attendance list



Jamoatchilik uchrashuvi ishtirokchilar
RO'YXATI

Loyihaning nomi: Sarimoy-Jonkeldi 500kV havo elektr uzatish tarmog'i

O'tkazilgan sanasi: 10/01/2022

Hudud va joy nomi: Peshku tuman kommunal xo'jaligi

No	Ishtirokchining ismi va familiyasi	Tashkilot/mahalla nomi	Telefon/mobil aloqa raqami	Izmo
1.	Kuchkarov Aslan Bakievich	Regional ekologiya partiyasi	99 351 78 15	[Signature]
2.	Khalilov Abdushavkat	Employment assistance centre of Peshku district	99 413 52 78	[Signature]
3.	Kurbanov Gulamdzhon Usmanovich	Peshku TV	99 152 61 21	[Signature]
4.	Tillaev Sukhrob Salom ugli	Inspection of Ecology and Environmental Protection	99 368 49 871	[Signature]
5.	Achilov Sardor Ataevich	Peshku district municipality department of economic development	99 503 77 93	[Signature]
6.	Nurullaev Bakhodir		99 347 56 15	[Signature]
7.	Tuxsanov Uktam		99 416 67 71	[Signature]
8.			99 302 97 84	[Signature]
9.			99 342 20 08	[Signature]
10.			93 122 20 10	[Signature]
11.			99 500 00 00	[Signature]
12.				

Attendance list

Name of Project: Sarimay-Dzhankeldy 500 kV OHTL

Date: 10/01/2022

Name of territory and place: Peshku district municipality

No	Name of participants	Name of organization, makhalla	Contact numbers	Signature
1	Kuchkarov Aslan Bakievich	Regional ecological party	998993517815	Signed
2	Khalilov Abdushavkat	Employment assistance centre of Peshku district	998994139278	Signed
3	Kurbanov Gulamdzhon Usmanovich	Peshku TV	998997326121	Signed
4	Tillaev Sukhrob Salom ugli	Inspection of Ecology and Environmental Protection	998936849871	Signed
5	Achilov Sardor Ataevich	Peshku district municipality department of economic development	998995037793	Signed
6	Nurullaev Bakhodir		998934756015	Signed
7	Tuxsanov Uktam		998904166771	Signed

8	Ruziev Fatkhullo	Deputy of district governor	998973089894	Signed
9	Sharapova Khurmat	Newspaper "Voice of Peshku"	998942422008	Signed
10	Juraev Tolip		998934777010	Signed
11	Ismatov Iskandar	Peshku district municipality department of Investment	998996720027	Signed

MINUTES OF MEETING

Public disclosure meeting in Sarimay community

In a framework of ESIA public disclosure for Sarimay-Dzhankeldy 500 kV OHTL Project Juru has arranged a public meeting at Dzhankeldy village to deliver them information about the planned Project.

To arrange meetings Juru Energy sent a letter to Tuprokkala municipality asking assistance to invite local community. In turn, Tuprokkala municipality has forwarded invitation to required living communities, including Sarimay village.

Male villager agreed to participate in the meeting. However, it was not possible to gather female villagers. Women refused to come to the meeting venue.

Juru found that local female does not participate in any kind of meetings at all.

Photos from distribution of brochures are attached in Annex 1.

Summary of the consultations is provided below.

Stakeholder group:	Directly affected community – Sarimay mahalla, meeting with female representatives
Number of participants from PAPs	-
Representatives of Project team	Ms Kazakova Zilola – Prinsipal Social Consultant, Juru Energy Mr Askarbek Makhmudov– Social Consultant, Juru Energy
Meeting language:	Uzbek
Date:	12.01.2022
Start time:	16:10
End time:	17:00
Method of engagement:	Notification of local villagers from Tuprokkala municipality
Venue:	Local school in Sarimay village
Used materials and visual aids	Project presentation and brochures

I. Agenda for meeting with PAPs

N/A

II. General conversation with local population

Since women of Sarimay village didn't attend meeting, Zilola delivered NTS in Uzbek language to unit of women affairs in Makhalla Committee of Sarimay village.

After that, Zilola walked over the village and distributed brochures to the local female villagers.

III. Q&A

N/A

Annex 1

Photos from visit to Sarimay village







MINUTES OF MEETING

Public disclosure meeting in Sarimay community

In a framework of ESIA public disclosure for Sarimay-Dzhankeldy 500 kV OHTL Project Juru has arranged a public meeting at Sarimay village to deliver them information about the planned Project.

To arrange meetings Juru Energy sent a letter to Khorezm regional municipality asking assistance to invite the local community. In turn, Tuprokkala municipality has forwarded invitation to the required local communities, including Sarimay village. Photos from the meeting are attached in Annex 1 and the attendance list is attached in Annex 2

Summary of the consultations is provided below.

Stakeholder group:	Directly affected community – Sarimay mahalla, meeting with male representatives
Number of participants from PAPs	12 local people
Representatives of Project team	Ms Kazakova Zilola – Prinsipal Social Consultant, Juru Energy Mr Asqarbek Makhmudov– Social Consultant, Juru Energy
Meeting language:	Uzbek
Date:	12.01.2022
Start time:	15:20
End time:	16:00
Method of engagement:	Notification of local villagers from Tuprokkala municipality
Venue:	Local school in Sarimay village
Used materials and visual aids	Project presentation and brochures

I. Agenda for meeting with PAPs

1. Project description;
2. Location of the Project, its components and facilities;
3. Project milestones;
4. Potential key negative impacts;
5. Potentially positive impacts;
6. GRM contact details;
7. Q&A

II. General conversation with local population

Starting the public consultation Zilola Kazakovav greeted meeting participants. She started conversation with describing the Sarimay-Dzhankeldy 500 kV OHTL, its main components, facilities and its preliminary location. Participants were informed about key environmental laws applicable for Project both local and EBRD policies under which the Project is being financed.

Moreover, to increase awareness of local people on expected environmental and social impacts, Askar Makhmudov highlighted both possible negative and positive impacts as a result of construction and operation of the Project.

Askar informed participants about expected negative impacts within the construction and operation phases as well. Thus, Askar explained that during the operations phase temporary land access restrictions could be applied. However, this would be done for safety purposes. He

explained that health and safety risks for Sarimay village would be managed through a risk assessment and planning with site-based security.

Askar Makhmudov also highlighted general impacts such as noise pollution, increased dust etc. He mentioned that these negative impacts are going to be managed according to local regulations and international practices. For instance, excavation, drilling works will be stopped during the restricted time by national regulations.

When it comes to environmental impacts, Zilola Kazakova explained that habitat loss and modification were expected due to the construction and excavation works. Meeting participants were informed that extensive ecological surveys have been conducting since October 2021 to examine local flora and fauna, including endangered species.

Based on survey results, mitigations measures would be developed to avoid or minimize the negative impacts. As far as the operations phase of the Project such impacts as operational noise, bird collision, and change of landscape are expected, he underlined that to avoid and minimize collision of avifauna, seasonal bird monitoring surveys have been conducted since September 2021.

Among the positive impacts of the Projects the following were mentioned

- Ensuring the stable power supply of North-Western region of Uzbekistan;
- Increasing the transfer capacity of the transmission line;
- Reducing the loss of electricity;
- No physical relocation of buildings

Askar informed meeting participants in Sarimay village that local people can express their concerns, send complaints or provide feedback regarding the Project through the Grievance Redness Mechanism (GRM). Askar also explained that all types of inquiries (written, verbal) will be accepted. He underlined that the GRM is completely free of charge and provided contact details for sending applications.

III. Q&A

Having described the Project in Sarimay community, Zilola Kazakova and Makhmudov Askar have not received any question from participants. After completion of Q&A session, the meeting was over. No negative concerns were received from meeting participants.

Annex 1

Photos from meeting





Annex 2

Attendance list



Jamoatchilik uchrashuvi ishtirokchilar
RO'YXATI

Loyihaning nomi: Sarimoy-Jonkeldi 500kV havo elektr uzatish tarmog'i

O'qazilgan sanasi: 12/01/2022

Uchrad va joy nomi: Sarimoy MEK

No	Ishtirokchining ismi va familiyasi	Tashkilot/mahalla nomi	Telefon/mobil aloqa raqami	Imzo
1.	Kurbanov Islam	Sarimoy	94	[Signature]
2.	Khamidov Rasul	—	[Large handwritten mark]	[Signature]
3.	Sabirov Djumaniyaz	Sarimoy		[Signature]
4.	Durdiev Garli	Sarimoy		[Signature]
5.	Niyazov Davletbay	Sarimoy		[Signature]
6.	Saidmuradov Amankeldi	Sarimoy		[Signature]
7.	Saipov Meriniyaz	Sarimoy		[Signature]
8.	Turaev Djumadurdi	Sarimoy		[Signature]
9.	Turaev Tokhir	Sarimoy		[Signature]
10.	Durdiev Amankeldi	Sarimoy		[Signature]
11.	Gaipov Tukhtamurat	Sarimoy		[Signature]
12.	Mamedov Ruzikul	Sarimoy		[Signature]

13.	Kaylakov Boynazar	Sarimoy	94	[Signature]
14.				
15.				
16.				
17.				
18.				
19.				
20.				
21.				
22.				
23.				
24.				
25.				
26.				
27.				
28.				
29.				
30.				
31.				
32.				

Attendance list

- | | | |
|-----|-----------------------|--------|
| 1. | Kurbanov Islam | signed |
| 2. | Khamidov Rasul | signed |
| 3. | Sabirov Djumaniyaz | signed |
| 4. | Durdiev Garli | signed |
| 5. | Niyazov Davletbay | signed |
| 6. | Saidmuradov Amankeldi | signed |
| 7. | Saipov Meriniyaz | signed |
| 8. | Turaev Djumadurdi | signed |
| 9. | Turaev Tokhir | signed |
| 10. | Durdiev Amankeldi | signed |
| 11. | Gaipov Tukhtamurat | signed |
| 12. | Mamedov Ruzikul | signed |
| 13. | Kaylakov Boynazar | signed |

MINUTES OF MEETING

Public disclosure meeting in Tuprokkala municipality

In a framework of ESIA public disclosure for Sarimay-Dzhankeldy 500 kV OHTL Project Juru has arranged a public meeting at Tuprokkala municipality to deliver information about the planned Project.

To arrange meetings Juru Energy sent a letter to Khorezm regional municipality asking assistance to invite relevant stakeholders. In turn, regional municipality has forwarded invitation to required district municipalities, including Tuprokkala. Invitation letter is provided in Annex 1. Photos from meeting are attached in Annex 2 and photos from meeting with vulnerable people provided in Annex 3.

Summary of the consultations is provided below.

Stakeholder group:	Regional state organizations
Number of participants from PAPs	14 activists of the district
Representatives of Project team	Ms Kazakova Zilola – Principal Social Consultant, Juru Energy Mr Askar Makhmudov– Social Consultant, Juru Energy
Meeting language:	Uzbek
Date:	12.01.2021
Start time:	11:00
End time:	11:50
Method of engagement:	Invitation letter to Khorezm regional municipality
Venue:	Conference hall of Tuprokkala municipality
Used materials and visual aids	Project presentation and brochures

I. Agenda for meeting

1. Project description;
2. Location of the Project, its components and facilities;
3. Project milestones;
4. Potential key negative impacts;
5. Potentially positive impacts;
6. GRM contact details;
7. Q&A

II. General conversation with local population

Starting the public consultation, Zilola Kazakova greeted female meeting participants. She introduced Sarimay – Dzhankeldy 500 kV OHTL Project. She also explained preliminary location of Sarimay 500 kV OHTL Project, main components and facilities. Participants were informed about key environmental laws applicable for the Project both local and Development Financial Institution- EBRD- policies under which Project is being financed.

Moreover, to increase awareness of staff members in Tuprokkala municipality on expected environmental and social impacts, Zilola Kazakova noticed both possible negative and positive impacts as a result of construction and operation of the Project.

Zilola Kazakova informed some negative impacts within the construction and operation phases as well. Thus, Zilola Kazakova explained that during operation phases temporary land access restrictions could be applied. However, this would be done for safety purposes. She explained that health and safety risks for district would be managed through risk assessment and planning with site-based security. She also highlighted some general impacts such as noise pollution, increasing of dust etc. Zilola Kazakova mentioned that these negative impacts are going to be managed according to local regulations and international practices. For instance, excavation, drilling works will be stopped during the restricted time by national regulations.

With regard to environmental impacts, Zilola Kazakova mentioned that habitat loss and modification were expected due to the constructional and excavation works. It was informed to meeting participants that extensive ecological surveys have been conducting since October, 2021 to examine local flora and fauna, including endangered species.

Based on these survey results, mitigations measures would be developed to avoid or minimize the negative impacts. As far as operation phase of the Project such impacts as operational noise, bird collision, change of landscape are expected. She underlined that to avoid and minimize collision of avifauna, seasonal bird monitoring surveys have been conducted since September 2021.

Among the positive impacts of Projects following were mentioned:

- Ensuring the stable power supply of North-Western region of Uzbekistan.,
- Increasing the transfer capacity of transmission line.,
- Reducing the loss of electricity.,
- No physical relocation of buildings.,

Following the Zilola Kazakova speech, Makhmudov Asqar informed meeting participants that local communities, stakeholders can express their concerns, sent complaint or provide feedback regarding the Project through Grievance Redness Mechanism. Asqar also explained that all types of inquiries (written, verbal) will be accepted. He underlined that GRM is completely free of charge and provided contact details for sending applications.

III. Q&A

As far as information about the Project was clear for participants, Zilola Kazakova and Makhmudov Askar were not given any question by participants. After completion of Q&A session, the meeting was over. No negative concerns were received from meeting participants.

Annex 1: Letter to the Tuprokkala municipality

JURU ENERGY CONSULTING MA'SULIYATI CHEKLANGAN JAMIYAT

100077, Toshkent, M.Ulug'bek tumani, Chust ko'chasi, 10-uy.
INN: 303454532, BIC: 00974 Bank: «Kapitalbank» A/N: 20208000600502375001

JEC-OUT-21-446
29.12.2021

Xorazm viloyati hokimi
F.O'. Ermanovga

Hurmatli Ermanov Farxod O'zbekovich!

Yevropa Tiklanish va Taraqqiyot Banki (ETTb) va O'zbekiston Milliy Elektr Tarmoqlari (O'MET) aksiyadorlik jamiyati o'rtasidagi O'zbekiston Respublikasida elektr uzatish tarmoqlari ta'minoti ishonchiligi, barqarorligi va samaradorligini oshirish maqsadida suveren kredit ajratilishi bo'yicha kelishilmoqda. Mazkur kredit asosidagi moliyalashtirish quyidagi tarmoq qurilishlari belgilangan:

- Lot 1** - O'zbekiston Respublikasi Xorazm viloyatidagi mavjud "Sarmoy" podstansiyasi hamda Buxoro viloyatining Peshku tumanidagi "Dzhankeldy" shamol elektr stansiyasi (takomillashirilmoqda) o'rtasida 500kV yuqori kuchlanishli 127 km uzunlikdagi havo elektr uzatish tarmog'i qurilishi (1-ilova).
- Lot 2** - Buxoro viloyati G'ijduvon tumanida rejadagi Besh podstansiyasining (takomillashirilmoqda) 500kV yuqori kuchlanishli Murantau-Navoi havo elektr uzatish tarmog'ining qo'shimcha 10 km uzunlikdagi havo elektr uzatish tarmog'i qurilishi (1-ilova).

Mazkur loyihaning atrof-muhit va ijtimoiy ta'siri baholash hisobotini tayyorlash uchun Evropa Tiklanish va Taraqqiyot Banki tomonidan Juru Energy MChJ maslahatchi etib tayinlandi. Loyiha doirasida Juru Energy MChJ Xorazm viloyatining Tuproqqal'a tumanida manfaatdor tashkilotlar va loyiha ta'siri ostida bo'lgan aholi o'rtasida jamoatchilik habardorligini oshirish yuzasidan jamoatchilik oshitiruvini o'tkazishni rejalashtirmoqda. Jamoatchilik uchrashuvlari tuman hokimligi va loyiha hududiga yaqin mahalla fuqarolar yig'ini binosida o'tkaziladi.

Shu munosabat bilan, Sizdan, jamoatchilik oshitiruvlarini quyidagi jadval asosida tashkil etishda va tegishli manfaatdor tashkilot vakillarining ishtirokini ta'minlashda smaliy yordam berishingizni so'raymiz.

No.	Kun	Vaqt	Joy	Qatnashchilar
1.	12/01/2022	10:00-11:00	Tuproqqal'a hokimligi majlislar zali	Tuproqqal'a tuman hokimligining tegishli bo'limi vakillari
2.	12/01/2022	12:00-13:30	Nukus qishloq fuqarolar yig'ini binosi	MFY raisi va aholi o'rtasida uchrashuv 2 guruhda o'tkaziladi. 1-guruh: keksa yoshli fuqarolar va yoshlar 2- guruh: ayollar va qizlar
3.	12/01/2022	15:00-16:30	Sarmoy qishloq fuqarolar yig'ini binosi	MFY raisi va aholi o'rtasida uchrashuv 2 guruhda o'tkaziladi. 1-guruh: keksa yoshli fuqarolar va yoshlar 2- guruh: ayollar va qizlar

Hamkorligingiz va ko'magingiz uchun minnatdorchilik bildiramiz.

Loyiha joylashuvi va manfaatdor tashkilotlar ro'yxati ilovaga muvofiq taqdim etilmoqda.

ilova 2 varoqda.

Hurmat bilan,

Direktor

J.Ismailov

Ma'lumot uchun:
Asqar Maxmudov
Tel: +998974485515
O'ltam Jo'raev
Tel: +998914777090



LOT 1 - Sarimoy-Jonkeldy 500kV havo elektr uzatish tarmog'i (127 km)



LOT 2 - Bash SHES 500kV havo elektr uzatish tarmog'i (10 km)



Unofficial translation

ОБЩЕСТВО С ОГРАНИЧЕННОЙ ОТВЕТСТВЕННОСТЬЮ
JURU ENERGY CONSULTING

100077, Tashkent, M.Ulugbek region, Chust Street, house # 10.

TIN: 303454532, BIC: 00974 Bank: «Kapitalbank» A/N: 20208000600502375001

JEC-OUT-21-446

29.12.2021

To Khorezm regional Khokimiyat
F.U. Ermanov

In order to improve the reliability, stability and efficiency of transmission network and quality of the electricity supply in Uzbekistan, the European Bank for Reconstruction and Development is considering providing a sovereign loan to the Republic of Uzbekistan to Joint-Stock Company National Electric Grid of Uzbekistan to finance the construction of a 500 kV overhead transmission line in Uzbekistan between the existing Sarimay substation in Khorezm region and the planned Dzhankeldy substation in Bukhara region - Lot 1; and a related 10 km 500kV Line-in Line out OHTL from the Bash switching station (under development) to the 500 kV Muruntau-Navoi OHTL (currently under construction) - Lot 2. Preliminary location of Lot 1 and Lot 2 (Annex 1).

EBRD has appointed Juru Energy LLC as the Environmental and Social Impact Assessment Consultant for the Project. As a part of the ESIA report, Juru is planning to conduct public meetings with stakeholders and local communities located close to the planned project site in Tuprokkala district of Khorezm region.

During social impact assessment, Sarimay and Nukus villages were identified as nearest living communities. Moreover, along Lot 1 there were determined private fuel stations as well as water station.

Considering the above, we kindly seek your support in arranging public hearings with the following stakeholders.

No.	Date	Time	Venue	Participants
1.	12/01/2022	10:00	Tuprokkala khokimiyat	Representatives of relevant departments of municipality, representatives of local Uztransgas department, water station, Uztelecom branch
2.	12/01/2022	12:00	Nukus village community office	Head of community/elderly people/youth (group 1) Community women (group 2)
3.	12/01/2022	15:00	Sarimay village community office	Head of community/elderly people/youth (group 1) Community women (group 2)

Thank you very much for your assistance and we look forward to your response.

Yours Sincerely,

Director

J.Ismailov

For further information please contact:

Askarbek Makhmudov **Tel:** +998974485515

Uktam Juraev **Tel:** +998914777090

LOT 1 - OHTL Sarimay-Dzhankeldy 500kV (127 km)



LOT 2 - OHTL Bash 500kV (10 km)



Uchrashuvga taklif etiladigan tegishli manfaatdor tashkilotlar ro'yxati

1. "O'zbekiston milliy elektr tarmoqlari" Aksiyadorlik Jamiyati hududiy boshqarmasi
2. "Uztransgaz" Aksiyadorlik Jamiyati hududiy boshqarmasi
3. "Uztelecom" Aksiyadorlik Jamiyati hududiy filiali
4. Sog'liqni saqlash boshqarmasi
5. Ekologiya va atrof-muhitni muhofaza qilish sohasidagi nazorati bo'yicha inspeksiyasi (hududiy vakil)
6. Bandlikka ko'maklashish markazi (hududiy vakil)
7. Kon-ekologiya faoliyatini nazorat qilish inspeksiyasi (hududiy vakil)
8. Madaniy meros boshqarmasi (hududiy vakil)
9. O'zbekiston Qushlarini Himoya Qilish Jamiyati va soha bo'yicha NNT lar vakillari
10. O'zbekiston ekologik partiyasi (hududiy vakil)
11. Hududiy ommaviy axborot vositalari

Unofficial translation

A list of Stakeholders to be invited to the meeting

1. Regional department of NEGU JSC
2. Regional department of "Uztransgaz" JSC
3. Regional department of "Uztelecom" JSC
4. Department of health-care
5. Regional representative of Inspection of Ecology and Environmental Protection
6. Regional representative of employment assistance centre
7. Regional representative of inspection of the Mining and Environmental Control
8. Regional representative of department of the Cultural Heritage
9. Uzbek society for the protection of birds and related NGO representatives
10. Regional representatives of Ecological party of Uzbekistan
11. Regional mass media representatives

Annex 2

Photos from meeting





Annex 3

Attendance list



Jamoatchilik uchrashuvi ishtirokchilar
RO'YXATI

Loyihaning nomi: Sarimoy-Jonkeldi 500kV havo elektr uzatish tarmog'i

O'tkazilgan sanasi: 12/01/2022

Hudud va joy nomi: *Boji qishloq tashkiloti*

No	Ishtirokchining ismi va familiyasi	Tashkilot/mahalla nomi	Telefon/mobil aloqa raqami	Izmo
1.	<i>Carubovnaq Abdalqadir</i>	<i>Boji qishloq</i>	<i>97-451-31-31</i>	<i>[Signature]</i>
2.	<i>Shaymurov Farukovich</i>	<i>Tyragasovlar qishloq</i>	<i>99-965-04-24</i>	<i>[Signature]</i>
3.	<i>Carubovnaq Murodov</i>	<i>Kopari Moq. Elektr. Tarmog'i</i>	<i>97-570-32-65</i>	<i>[Signature]</i>
4.	<i>Shaymurov Farukovich</i>	<i>Boji qishloq tashkiloti</i>	<i>93 412 13-00</i>	<i>[Signature]</i>
5.	<i>Donnarova Qariyeva</i>	<i>Boji qishloq tashkiloti</i>	<i>99-505-26-07</i>	<i>[Signature]</i>
6.	<i>Shaymurov Farukovich</i>	<i>Boji qishloq tashkiloti</i>	<i>99-281-70-00</i>	<i>[Signature]</i>
7.	<i>Carubovnaq Murodov</i>	<i>Boji qishloq tashkiloti</i>	<i>99-502-05-00</i>	<i>[Signature]</i>
8.	<i>Karimov Abdolqadir</i>	<i>Sarimoy "m.1" aholi y. tashkiloti</i>	<i>99-965-32-75</i>	<i>[Signature]</i>
9.	<i>Carubovnaq Murodov</i>	<i>Boji qishloq tashkiloti</i>	<i>97-211-41-71</i>	<i>[Signature]</i>
10.	<i>Shaymurov Farukovich</i>	<i>Boji qishloq tashkiloti</i>	<i>99-108-05-35</i>	<i>[Signature]</i>
11.	<i>Shaymurov Farukovich</i>	<i>Boji qishloq tashkiloti</i>	<i>99-984-94-33</i>	<i>[Signature]</i>
12.	<i>Shaymurov Farukovich</i>	<i>Boji qishloq tashkiloti</i>	<i>92-288-11-10</i>	<i>[Signature]</i>

13.	<i>Shaymurov Farukovich</i>	<i>Boji qishloq tashkiloti</i>	<i>97-451-83-56</i>	<i>[Signature]</i>
14.	<i>Shaymurov Farukovich</i>	<i>Boji qishloq tashkiloti</i>		<i>[Signature]</i>
15.	<i>Shaymurov Farukovich</i>	<i>Boji qishloq tashkiloti</i>	<i>99-572-65-43</i>	<i>[Signature]</i>
16.				
17.				
18.				
19.				
20.				
21.				
22.				
23.				
24.				
25.				
26.				
27.				
28.				
29.				
30.				
31.				
32.				

Attendance list

1. Ollaberganov Navruzбек - signed
2. Khojashov Ganijon - signed
3. Sativoldiev Shonazar - signed
4. Kurbonov Gayrat - signed
5. Ollayorov Farhod - signed
6. Yakubov Kazbek - signed
7. Rajabov Mardonbek - signed
8. Komilov Asadbek - signed
9. Rakhimov Murodjon - signed
10. Abdusharipov Sarvarbek - signed
11. Nurberdiev Madat - signed
12. Jumaniyozov Jamalbek – signed
13. Yakubov San'at – signed
14. Alimov Temur – signed

MINUTES OF MEETING

Public disclosure meeting in Gijduvan municipality

In a framework of ESIA public disclosure for Sarimay 500 kV OHTL Project Juru Energy has arranged a public meeting at Gijduvan municipality to deliver them information about the Project.

To arrange meetings Juru Energy sent a letter to Bukhara regional municipality asking assistance to invite relevant stakeholders. In turn, regional municipality has forwarded invitation to required district municipalities, including Gijduvan. Invitation letter is provided in Annex 1. Photos from meeting are attached in Annex 2, participants' list is provided in Annex 3.

Summary of the consultations is provided below.

Stakeholder group:	Regional state organisations
Number of participants from PAPs	7 employees of Gijduvan municipality
Representatives of Project team	Ms Kazakova Zilola – Principal Social Consultant, Juru Energy Mr Askarbek Makhmudov– Social Consultant Juru Energy
Representative of NEGU	Mr. Jurayev Tolib – representative of Bukhara branch of NEGU
Meeting language:	Uzbek
Date:	10.01.2022
Start time:	14:05
End time:	15:30
Method of engagement:	Invitation letter to Bukhara region municipality
Venue:	Conference room of Gijduvan municipality
Used materials and visual aids	Project presentation and brochures

I. Agenda for meeting with PAPs

1. Project description;
2. Location of the Project, its components and facilities;
3. Project milestones;
4. Potential key negative impacts;
5. Potentially positive impacts;
6. GRM contact details;
7. Q&A

II. General conversation with local population

Starting the public consultation, Zilola Kazakova greeted meeting participants. She introduced Sarimay – Dzhankeldy 500 kV OHTL Project. Zilola Kazakova also explained preliminary location of Sarimay 500 kV OHTL Project, main components and facilities. Participants were informed about key environmental laws applicable for the Project both local and Development Financial Institution – EBRD- policies under which Project is being implemented.

To increase awareness of local people on expected environmental and social impacts, Zilola Kazakova noticed both possible negative and positive impacts as a result of construction and operation of the Project.

Having described positive impacts, Zilola Kazakova informed some negative impacts within the construction and operation phases as well. Thus, Zilola Kazakova explained that during operation phases temporary land access restrictions could be applied. However, this would be

done for safety purposes. She explained that health and safety risks for community would be managed through risk assessment and planning with site-based security. She also highlighted some general impacts such as noise pollution, increasing of dust etc. Zilola Kazakova mentioned that these negative impacts are going to be managed according to local regulations and international practices. For example, excavation, drilling works will be stopped during restricted time by national regulations.

With regard to environmental impacts, Zilola Kazakova mentioned that habitat loss and modification were expected due to the constructional and excavation works. It was informed to meeting participants that extensive ecological surveys have been conducting since October, 2021 to examine local flora and fauna, including endangered species. Based on these survey results, mitigations measures would be developed to avoid or minimize the negative impacts. As far as operation phase of the Project such impacts as operational noise, bird collision, change of landscape are expected. She underlined that to avoid and minimise collision of avifauna, seasonal bird monitoring surveys have been conducted since September 2021.

Among the positive impacts of Projects following were mentioned

- Ensuring the stable power supply of North-Western region of Uzbekistan;
- Increasing the transfer capacity of transmission line;
- Reducing the loss of electricity;
- No physical relocation of buildings

Following the Zilola Kazakova speech, Makhmudov Asqar informed meeting participants that local communities, stakeholders can express their concerns, send complaint or provide feedback regarding the Project through Grievance Redness Mechanism. Asqar also explained that all types of inquiries (written, verbal) will be accepted. He underlined that GRM is completely free of charge and provided contact details for sending applications.

III. Q&A

Questions and answers session followed the introduction to the general terms of compensation package

Question	Answer
<p>Latipov Nodir:</p> <p>What is the total amount of loan for proposed Project and do you know how long will construction work will be?</p>	<p>Kazakova Zilola:</p> <p>At the moment, there is no information on the amount which will be required for Project construction. Before providing a loan DFI's including EBRD, need to assess the E&S impacts. For this reason, Juru energy is conducting required surveys and studies. In practice, construction of such Projects usually takes regarding the duration construction, there is no exact timeline. NEGU needs to make sure that route for OHTL will not significantly impact to current state of environment as well as biodiversity. Moreover, technical studies should be also completed.</p>
<p>Tokhirov Muzaffar:</p> <p>To construct this Project, which organisations/stakeholders are being planned to be involved?</p>	<p>Kazakova Zilola:</p> <p>NEGU is a Project developer. EBRD is considering to provide a loan to NEGU for the construction of OHTL. Juru Energy is a Project Consultant and responsible for E&S assessment. Meanwhile, Project involves number of state</p>

	<p>organisations such as;</p> <ul style="list-style-type: none"> • Local municipalities., • National Centre for Archaeology-to consult on presence or absence of archaeological objects along route of its area of influence., • Agency on cultural heritage-to consult on presence or absence of cultural objects along route of its area of influence • Local living communities- to inform on Project and assess impacts from construction and operation of the Project., • Affected people/organisations- to inform on Project and assess impacts as a result of land acquisition., <p>These are examples of stakeholders who are involved to the Project. We have prepared list of stakeholders who should be consulted based on the outcome of E&S receptor mapping at the Scoping stage.</p>

Annex 1: Invitation letter to Bukhara Municipality

JURU ENERGY CONSULTING
MA'SULIYATI CHEKLANGAN JAMIYAT

100077, Toshkent, M.Ulug'bek tumani, Chust ko'chasi,10-uy.
INN: 303454532, BIC: 00974 Bank: «Kapitalbank» A/N: 20208000600502375001

JEC-OUT-21-445
29.12.2021

Buxoro viloyati hokimi
B.K.Zaripovga

Hurmatli Botir Komilovich!

Yevropa Tiklanish va Taraqqiyot Banki (ETTb) va O'zbekiston Milliy Elektr Tarmoqlari (O'MET) aksiyadorlik jamiyati o'rtasidagi O'zbekiston Respublikasida elektr uzatish tarmoqlari ta'minoti ishonchligi, barqarorligi va samaradorligini oshirish maqsadida suveren kredit ajratilishi bo'yicha kelishilmoqda. Mazkur kredit asosidagi moliyalashtirish quyidagi tarmoq qurilishlari belgilangan:

- Lot 1** - O'zbekiston Respublikasi Xorazm viloyatidagi mavjud "Sarimoy" podstansiyasi hamda Buxoro viloyatining Peshku tumanidagi "Dzhankeldy" shamol elektr stansiyasi (takomillashtirilmoqda) o'rtasida 500kV yuqori kuchlanishli 127 km uzunlikdagi havo elektr uzatish tarmog'i qurilishi (1-ilova).
- Lot 2** - Buxoro viloyati G'ijduvon tumanida rejadagi Bash podstansiyasining (takomillashtirilmoqda) 500kV yuqori kuchlanishli Muruntau-Navoi havo elektr uzatish tarmog'ining qo'shimcha 10 km uzunlikdagi havo elektr uzatish tarmog'i qurilishi (1-ilova).

Mazkur loyihaning atrof-muhit va ijtimoiy ta'sirni baholash hisobotini tayyorlash uchun Evropa Tiklanish va Taraqqiyot Banki tomonidan Juru Energy MChJ maslahatchi etib tayinlandi. Loyiha doirasida Juru Energy MChJ Buxoro viloyatining Peshku va G'ijduvon tumanlarida manfaatdor tashkilotlar va loyiha ta'siri ostida bo'lgan aholi o'rtasida jamoatchilik habardorligini oshirish yuzasidan jamoatchilik eshittiruvini o'tkazishni rejalashtirmoqda. Jamoatchilik uchrashuvlari tuman hokimligi va loyiha hududiga yaqin mahalla fuqarolar yig'ini binosida o'tkaziladi.

Shu munosabat bilan, Sizdan, jamoatchilik eshittiruvlarini quyidagi jadval asosida tashkil etishda va tegishli manfaatdor tashkilot vakillarining (2 ilovada) ishtirokini ta'minlashda amaliy yordam berishingizni so'raymiz.

No.	Kun	Vaqt	Joy	Qatnashchilar
1.	10/01/2022	10:00-11:00	Peshku tuman hokimligi majlislar zali	Peshku tuman hokimligining tegishli bo'limi vakillari
2.	10/01/2022	14:00-15:00	G'ijduvon tuman hokimligi majlislar zali	G'ijduvon tuman hokimligining tegishli bo'limi vakillari
3.	11/01/2022	11:00-12:30 14:00-15:30	Jonkeldi mahalla fuqarolar yig'ini binosi va Qal'ata qishlog'i	MFY raisi va aholi o'rtasida uchrashuv 2 guruhda o'tkaziladi. 1-guruh: keksa yoshli fuqarolar va yoshlar 2- guruh: ayollar va qizlar

Hamkorligingiz va ko'magingiz uchun minnatdorchilik bildiramiz.

Loyiha joylashuvi va manfaatdor tashkilotlar ro'yxati ilovaga muvofiq taqdim etilmoqda.

ilova 2 varoqda.

Hurmat bilan,

Direktor

J.Ismailov

Murojaat uchun:
Asqar Maxmudov, tel: +998974485513
O'ktam Jo'raev, tel: +998914777090



LOT 1 - Sarimoy-Jonkeldy 500kV havo elektr uzatish tarmog'i (127 km)



LOT 2 - Bash SHES 500kV havo elektr uzatish tarmog'i (10 km)



Unofficial translation

ОБЩЕСТВО С ОГРАНИЧЕННОЙ ОТВЕТСТВЕННОСТЬЮ
JURU ENERGY CONSULTING

100077, Tashkent, M.Ulugbek region, Chust Street, house # 10.

TIN: 303454532, BIC: 00974 Bank: «Kapitalbank» A/N: 20208000600502375001

JEC-OUT-21-445

29.12.2021

To Bukhara regional Khokimiyat

In order to improve the reliability, stability and efficiency of transmission network and quality of the electricity supply in Uzbekistan, the European Bank for Reconstruction and Development is considering providing a sovereign loan to the Republic of Uzbekistan to Joint-Stock Company National Electric Grid of Uzbekistan to finance the construction of a 500 kV overhead transmission line in Uzbekistan between the existing Sarimay substation in Khorezm region and the planned Dzhankeldy substation in Bukhara region - Lot 1; and a related 10 km 500kV Line-in Line out OHTL from the Bash switching station (under development) to the 500 kV Muruntau-Navoi OHTL (currently under construction) - Lot 2. Preliminary location of Lot 1 and Lot 2 (Annex 1).

EBRD has appointed Juru Energy LLC as the Environmental and Social Impact Assessment Consultant for the Project. As a part of an ESIA report, Juru is planning to provide public hearings with stakeholders and PAPs in Peshku and Gijduvon districts of Bukhara region.

Public hearings will be provided in district khokimiyats and living communities located near the Project area based on the table below.

Considering the above, we kindly seek your support in arranging public hearings at Gijduvon khokimiyat with the following stakeholders.

No.	Date	Time	Venue	Participants
1.	10/01/2022	10:00	Peshku district khokimiyat	Representatives of relevant departments of Peshku district Khokimiyat
2.	10/01/2022	14:00	Gijduvan district khokimiyat	Representatives of relevant departments of Gijduvan district Khokimiyat
3.	11/01/2022	16.30-18.30	Dzhankeldy and Kalaata villages community office	Head of community/elderly people/youth (group 1) Community women (group 2)

Thank you very much for your assistance and we look forward to your response.

Yours Sincerely,

Director

J.Ismailov

For further information please contact:

Askarbek Makhmudov **Tel:** +998974485515

Uktam Juraev **Tel:** +998914777090

LOT 1 - OHTL Sarimay-Dzhankeldy 500kV (127 km)



LOT 2 - OHTL Bash 500kV (10 km)



Invitation letter to the stakeholders

Uchrashuvga taklif etiladigan tegishli manfaatdor tashkilotlar RO'YXATI

1. "O'zbekiston milliy elektr tarmoqlari" Aksiyadorlik Jamiyati hududiy boshqarmasi
2. "Uztransgas" Aksiyadorlik Jamiyati hududiy boshqarmasi
3. "Uztelecom" Aksiyadorlik Jamiyati hududiy filiali
4. Sog'liqni saqlash boshqarmasi
5. Ekologiya va atrof-muhitni muhofaza qilish sohasidagi nazorati bo'yicha inspeksiyasi (hududiy vakil)
6. Bandlikka ko'maklashish markazi (hududiy vakil)
7. Kon-ekologiya faoliyatini nazorat qilish inspeksiyasi (hududiy vakil)
8. Madaniy meros boshqarmasi (hududiy vakil)
9. O'zbekiston Qushlarini Himoya Qilish Jamiyati va soha bo'yicha NNT lar vakillari
10. O'zbekiston ekologik partiyasi (hududiy vakil)
11. Hududiy ommaviy axborot vositalari

A list of Stakeholders to be invited to the meeting

1. Regional department of NEGU JSC
2. Regional department of "Uztransgaz" JSC
3. Regional department of "Uztelecom" JSC
4. Department of health-care
5. Regional representative of Inspection of Ecology and Environmental Protection
6. Regional representative of employment assistance centre
7. Regional representative of inspection of the Mining and Environmental Control
8. Regional representative of department of the Cultural Heritage
9. Uzbek society for the protection of birds and related NGO representatives
10. Regional representatives of Ecological party of Uzbekistan
11. Regional mass media representatives

Annex 2: Photos from the meeting





Annex 3: Attendance list



Jamoatchilik uchrashuvi ishtirokchilar
RO'YXATI

Loyhaning nomi: Sarimoy-Jonkeldi 500kV havo elektr uzatish tarmog'i
O'tkazilgan sanasi: 10/01/2022
Hudud va joy nomi: Gijduvan

No	Ishirokchining ismi va familiyasi	Tashkilot/mahalla nomi	Telefon/mobil aloqa raqami	Izmo
1.	Mirjabbar Sherzod	Honori J.T. Sarimoy jonkeldi	80-577-70-10	[Signature]
2.	Akhrorov Sherzod	Ma'muriy departament Gijduvan	31-205-14-04	[Signature]
3.	Taxirov Muzaffar	Investitsiya departamenti	33-711-82-37	[Signature]
4.	Latipov Nodir	Investitsiya departamenti	80-204-11-32	[Signature]
5.	Amanov Jakhongir	GAZ taqdimoti markazi	30-211-94-11	[Signature]
6.	Rustamov Aziz	Elektr taqdimoti markazi	91-410-18-46	[Signature]
7.	Burkhanova Zuhra	Ma'muriy departament	91-419-32-34	[Signature]
8.	Tursunov Sherzod	Tuman iqtisodiy	80244-70-02	[Signature]
9.				
10.				
11.				
12.				

Unofficial translation of Attendance list

Name of Project: Sarimay-Dzhankeldy 500 kV OHTL

Date: 10/01/2022

Name of territory and place: Gijduvan district municipality

No	Name of participants	Name of organization, makhalla	Contact numbers	Signature
1	Juraev Tolip	Regional department of NEGU JSC	998934777010	Signed
2	Akhrorov Sherzod	Mass media	998997051444	Signed
3	Takhirov Muzaffar	Department of Investment of Gijduvan district municipality	998997478299	Signed
4	Latipov Nodir	Department of Investment of Gijduvan district municipality	998905141137	Signed
5	Amanov Jakhongir	Department of gas supply in Gijduvan district municipality	998907114411	Signed
6	Rustamov Aziz	Electricity department of Gijduvan municipality	998914101646	Signed
7	Burkhanova Zuhra	Employment assistance centre	998914093274	Signed
8	Tursunov Sherzod	Representative of district municipality	998907447002	Signed

MINUTES OF MEETING

Public disclosure meeting in Kalata village

In a framework of ESIA public disclosure for Samiray-Dzhankeldy 500 kV OHTL Project, Juru has arranged a public meeting at Kalaata village to deliver them information about the planned Project.

To arrange meetings Juru Energy sent a letter to Bukhara municipality asking assistance to invite the local stakeholders, including local communities. In turn, Peshku municipality has forwarded the invitation to Kalaata village.

In addition to the letter from Peshku municipality, Juru Energy contacted Mukhammad Kamalov - the head of the community who is also responsible for Kalaata village via phone and asked him to arrange a meeting with different groups of the community (female, elderly people, young people) at a local school.

Photos from the meeting are provided in Annex 1. A list of participants is provided in Annex 2.

Summary of the consultations is provided below.

Stakeholder group:	Directly affected community – Kalata village, meeting with male representatives, i.e., elderly and unemployed youth
Number of participants from PAPs	7 villagers
Representatives of Project team	Mr Askarbek Makhmudov– Social Consultant, Juru Energy
Meeting language:	Uzbek
Date:	11.01.2021
Start time:	13:25
End time:	14:10
Method of engagement:	Notification from Peshku municipality and phone call invitation to community leader
Venue:	Local school in Kalaata village
Used materials and visual aids	Project presentation and brochures

I. Agenda for meeting

1. Project description;
2. Location of the Project, its components and facilities;
3. Project milestones;
4. Potential key negative impacts;
5. Potentially positive impacts;
6. GRM contact details;
7. Q&A

II. General conversation with local population

Starting the public consultation, Askar Makhmudov greeted meeting participants. He introduced the Sarimay 500 kV OHTL Project. Askar also explained the preliminary location of the Sarimay-Dzhankeldy 500 kV OHTL Project, its main components and facilities. Participants were informed about key environmental laws applicable for the Project both local and EBRD policies under which Project is being financed.

To increase awareness of local people on expected environmental and social impacts, Askar mentioned both possible negative and positive impacts as a result of construction and operation of the Project.

Having described positive impacts, Askar mentioned some negative impacts within the construction and operations phases. Thus, Askar explained that during the operations phase temporary land access restrictions could be applied. However, this would be done for safety purposes. He explained that health and safety risks for community would be managed through a risk assessment and planning with site-based security.

He also highlighted some general impacts such as noise pollution, increased dust etc. Askar mentioned that these negative impacts are going to be managed according to local regulations and international practices. For example, excavation, drilling works will be stopped during restricted time by national regulations.

With regard to environmental impacts, Askar mentioned that habitat loss and modification were expected due to the constructional and excavation works. Meeting participants were informed that extensive ecological surveys have been conducted since October 2021 to examine local flora and fauna, including endangered species. Based on these survey results, mitigations measures would be developed to avoid or minimize the negative impacts.

As far as the operations phase of the Project such impacts as operational noise, bird collision, change of landscape are expected. He underlined that to avoid and minimise collision of avifauna, seasonal bird monitoring surveys have been conducted since September 2021.

Among the positive impacts of the Project the following were mentioned

- Ensuring the stable power supply of North-Western region of Uzbekistan;
- Increasing the transfer capacity of the transmission line;
- Reducing the loss of electricity;
- No physical relocation of buildings

Askar informed meeting participants that local communities, stakeholders can express their concerns, send complaints or provide feedback regarding the Project through the Grievance Redness Mechanism (GRM). He also explained that all types of inquiries (written, verbal) will be accepted. He underlined that the GRM is completely free of charge and provided contact details for sending applications.

III. Q&A

Question	Answer
<p>Bozorbekov Kenjabek:</p> <p>When construction of this Project will be launched?</p>	<p>Askar Makhmudov:</p> <p>At the moment, the Project is under planning stage, i.e., assessment of environmental and social impacts. The construction is expected to start in 2023 and construction end in 2024</p>
<p>Jumaboev Rayimboy:</p> <p>What kind of positive sides does this Project have for Kalaata community?</p>	<p>Askar Makhmudov:</p> <p>Current project is planned to improve grid system of Uzbekistan. The positive side is expected to be an uninterrupted power supply. NEGU aims to connect renewable power plant</p>

	that will be constructed near your living areas with already existing substations.
<p>Kulnazarov Turanboy:</p> <p>Will local people have engaged as employee for the construction of this project?</p>	<p>Askar Makhmudov:</p> <p>Depending on needs of Project, NEGU may announce job vacancies during the construction period.</p> <p>At this moment Project developer is completing environmental and social impact assessment report. Detailed information regarding job opportunities such as employment terms and conditions, list of vacancies, requirements for candidates will be available in the further stages of the Project.</p>

After completion of Q&A session, the meeting was over. No negative concerns were received from meeting participants.

Annex 1

Photos from meeting



Annex 2: Attendance list

Korona Nov 11.01.2022

13.	Базарбек Атаман			Базарбек
14.	Аманжол Муратов			Аманжол
15.	Жумабаев Рамбаев			Жумабаев
16.	Кулназаров Туракбай			Кулназаров
17.	Базарбек Кенжебек			Базарбек
18.	Базарбек Атаман			Базарбек
19.	Полатов Афдак			Полатов
20.				
21.				
22.				
23.				
24.				
25.				
26.				
27.				
28.				
29.				
30.				
31.				
32.				

Attendance list

1. Bazarbekov Atdihal signed
2. Muratbaev Mairan signed
3. Jumabaev Raimbay signed
4. Kulnazarov Turakbay signed
5. Bazarbekov Kenjebek signed
6. Bazarbekov Abdiali signed
7. Polatov Afdak signed